

PARTS MANUAL

2003

PLEASE OBSERVE !

- Always use original Husaberg parts.
- Use the special Husaberg tools when required.
- Install new gaskets, o-rings, circlips etc whenever possible.
- Always clean all parts thoroughly before assembly.
- All screws, nuts, bolts etc. are in the metric system.
- Always use the adequate tools, liquids, lubricants, fuel and oil qualities.

This Parts Manual 2003 is subject to correction without prior notice.

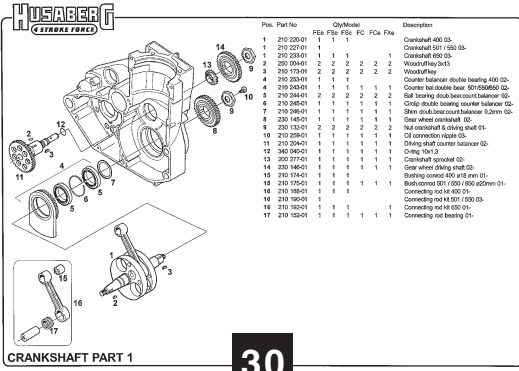
The material and information included in this Parts Manual 2003 are all of the latest editions available at the time of the printing.

Husaberg Motor AB reserves the right to make changes regarding the products at any time without prior notice.

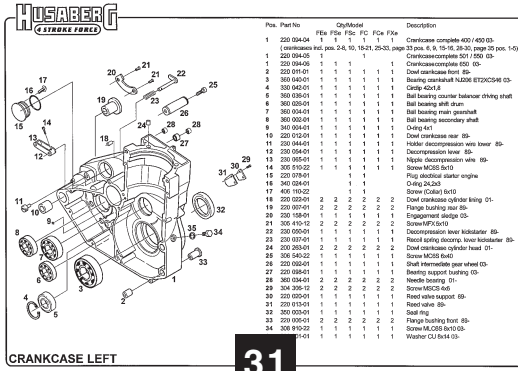
No part of this Parts Manual 2003 may be reproduced without written permission.

HUSABERG

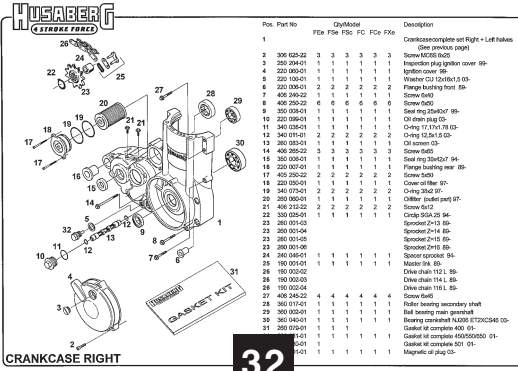
4 STROKE FORCE



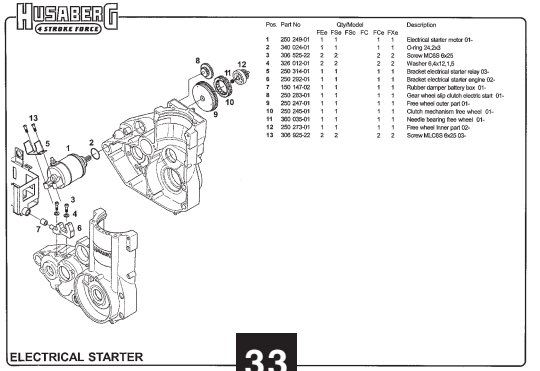
30



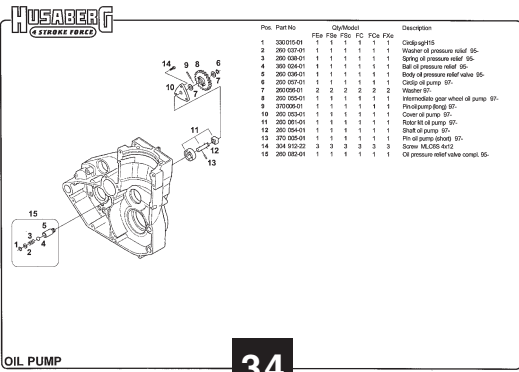
31



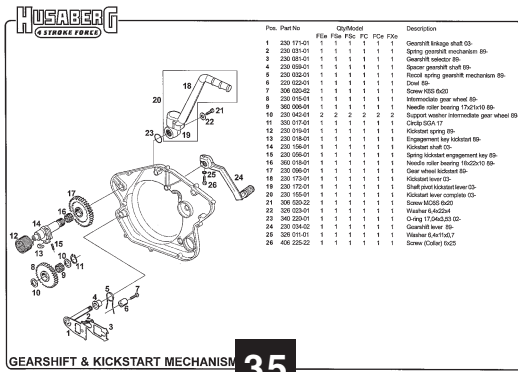
32



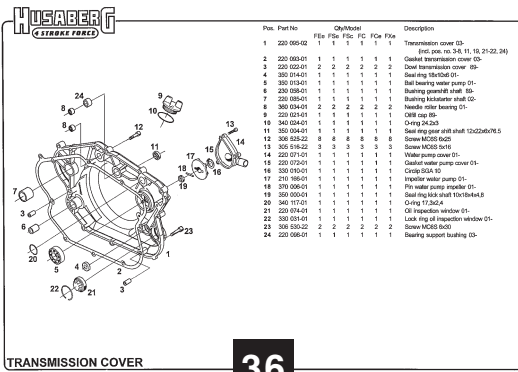
33



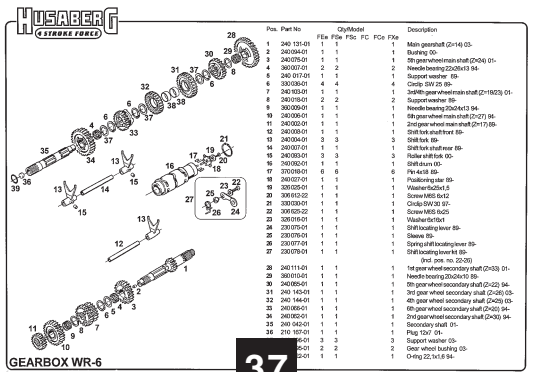
34



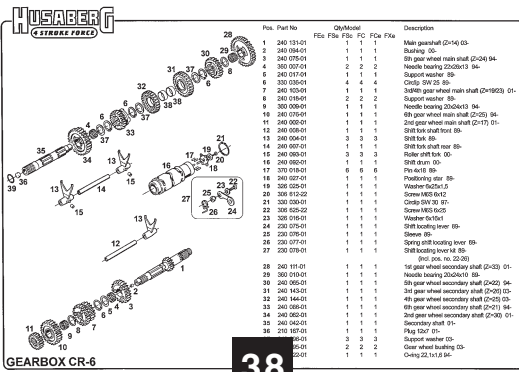
35



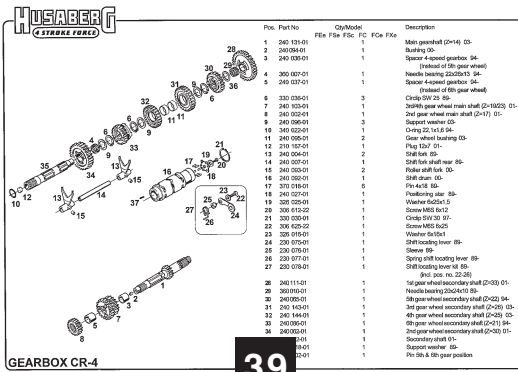
36



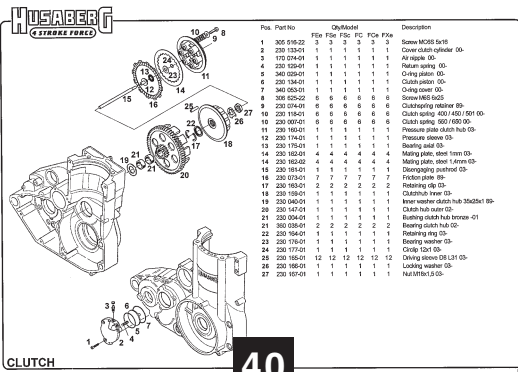
37



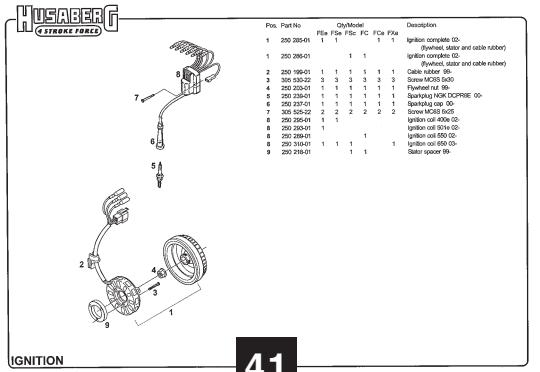
38



39



40



41

HUSABERG

4 STROKE FORCE

HUSABERG
4 STROKE FORCE

Pos.	Part No.	Qty/Model	Description																												
1	2	3	4	5	6	7	8	9	10	11	12	13	14	15	16	17	18	19	20	21	22	23	24	25	26	27	28	29	30	31	32
1	307 88-02	2	Speed LED light																												
2	180 18-01	1	Headlight reflector ECE-approved 80																												
3	408 15-02	1	Headlight reflector with head lamp 80																												
4	102 12-01	1	Beam																												
5	318 81-01	1	Lock nut M6																												
6	180 18-01	1	Lock nut M6																												
7	180 18-01	1	Washer 0.7x14x1.5 (incl. pos. no. 6)																												
8	180 18-01	1	Bracket reflect. 80																												
9	180 18-01	1	Reflex 80																												
10	180 18-01	1	Speedometer digital 03																												
11	180 18-01	1	Bracket lamp 03																												
12	180 18-01	2	Bracket lamp 03																												
13	408 15-02	2	Beam (Color 8x10)																												
14	130 21-01	2	Rubber bushing speedometer 03																												
15	325 03-01	2	Washer 0.7x14x1.5																												
16	318 81-01	2	Lock nut M6																												
17	110 21-01	1	Speedometer cable 03																												
18	180 18-01	1	Bracket lamp 03																												
19	180 18-01	1	Clamp speedometer magnet 03																												
20	180 18-01	1	Rubber bushing speedometer bracket 03																												
21	180 18-01	2	Speedometer bracket 03																												
22	180 18-01	1	Ignition lock 03																												
23	180 18-01	1	Turn signal left front left rear 80																												
24	180 18-01	1	Turn signal right front left rear 80																												
25	300 01-04	4	Washer 10.5x18x2																												
26	300 01-04	4	Nut M10x1																												
27	300 01-04	1	High beam indicator base (incl. light) 03																												
28	180 18-01	1	Turn light indicator green (incl. light) 03																												
29	180 18-01	1	Rear view mirror 80																												
30	180 18-01	1	Oring 10x13																												
31	340 04-01	2	Clamp (see pos. no. 28)																												
32																															

LIGHTS & SPEEDOMETER **42**

HUSABERG
4 STROKE FORCE

Pos.	Part No.	Qty/Model	Description																												
1	2	3	4	5	6	7	8	9	10	11	12	13	14	15	16	17	18	19	20	21	22	23	24	25	26	27	28	29	30	31	32
1	180 20-01	1	Wiring harness lights 03																												
2	304 44-02	4	Socket ACS 03																												
3	180 17-01	1	On fan signal 03																												
4	180 17-01	1	Turn signal switch incl. wire 03																												
5	180 20-01	1	Turn signal relay board 03																												
6	180 17-01	1	Turn signal relay 80																												
7	304 44-02	2	Light switch incl. wire 03																												
8	180 17-01	1	Light switch incl. wire 03																												
9	180 20-01	1	Socket ACS 03																												
10	180 17-01	1	Turn signal relay board 03																												
11	180 20-01	1	Socket ACS 03																												
12	180 20-01	2	Socket ACS 03																												
13	180 21-01	1	Wiring harness ignition lock 03																												
14	180 21-01	1	Wiring harness without ign. 03																												
15	170 03-01	1	Lock nut M10																												
16	180 18-01	1	Bracket lamp 03																												
17	180 06-01	1	Engine stop circuit button incl. wire 01																												
18	170 06-01	1	High beam ignition switch with cable 01																												
19	140 05-01	1	Clamp battery 03																												
20	180 17-01	1	Turn signal relay board 03																												
21	180 18-01	1	Battery 03																												
22	180 17-01	1	Turn signal relay board 03																												
23	408 15-02	1	Beam (Color 8x10)																												
24	170 03-01	2	Lock nut M10																												
25	180 18-01	2	Rubber 03																												
26																															
27																															
28																															
29																															
30																															
31																															
32																															

WIRING HARNESS **43**

HUSABERG
4 STROKE FORCE

Pos.	Part No.	Qty/Model	Description																															
1	2	3	4	5	6	7	8	9	10	11	12	13	14	15	16	17	18	19	20	21	22	23	24	25	26	27	28	29	30	31	32	33	34	35
1	250 15-01	1	Carburettor 38 mm																															
2	250 15-01	1	Choke (incl. 0.5mm)																															
3	250 04-01	2	2	2	2	2	2	2	2	2	2	2	2	2	2	2	2	2	2	2	2	2	2	2	2	2	2	2	2	2	2	2	2	
4	250 15-01	1	Needle holder																															
5	250 15-01	1	Choke needle																															
6	250 15-01	1	Spring throttle																															
7	250 15-01	1	Spring throttle																															
8	250 15-01	1	Choke needle																															
9	250 15-01	1	Choke wire 00																															
10	250 15-01	1	Choke needle 00																															
11	250 15-01	3	3	3	3	3	3	3	3	3	3	3	3	3	3	3	3	3	3	3	3	3	3	3	3	3	3	3	3	3	3	3		
12	250 15-01	1	Needle cover																															
13	250 15-01	1	Spring throttle screw																															
14	250 15-01	1	Spring throttle screw																															
15	250 15-01	1	Drain plug																															
16	250 15-01	1	Float chamber																															
17	250 15-01	1	Float (incl. gips)																															
18	250 15-01	2	2	2	2	2	2	2	2	2	2	2	2	2	2	2	2	2	2	2	2	2	2	2	2	2	2	2	2	2	2	2		
19	250 15-01	1	Needle jet																															
20	250 15-01	1	Needle jet																															
21	250 15-01	1	Needle jet																															
22	250 15-01	1	Needle jet																															
23	250 15-01	1	Needle jet																															
24	250 15-01	1	Needle jet																															
25	250 15-01	1	Needle jet																															
26	250 15-01	1	Needle jet																															
27	250 15-01	1	Needle jet																															
28	250 15-01	1	Needle jet																															
29	250 15-01	1	Needle jet																															
30	250 15-01	1	Needle jet																															
31	250 15-01	1	Needle jet																															
32	250 15-01	1	Needle jet																															
33	250 15-01	2	2	2	2	2	2	2	2	2	2	2	2	2	2	2	2	2	2	2	2	2	2	2	2	2	2	2	2	2	2			
34	306 53-22	2	2	2	2	2	2	2	2	2	2	2	2	2	2	2	2	2	2	2	2	2	2	2	2	2	2	2	2	2	2	2	2	
35	180 18-01	1	1	1	1	1	1	1	1	1	1	1	1	1	1	1	1	1	1	1	1	1	1	1	1	1	1	1	1	1	1	1		

CARBURETTOR **44**

HUSABERG
4 STROKE FORCE

Pos.	Part No.	Qty/Model	Description																													
1	2	3	4	5	6	7	8	9	10	11	12	13	14	15	16	17	18	19	20	21	22	23	24	25	26	27	28	29	30	31	32	33
1	250 02-01	1	Needle K 32																													
2	250 02-01	1	Needle K 30																													
3	250 02-01	1	Needle K 28																													
4	250 02-01	1	Needle K 26																													
5	250 02-01	1	Needle K 24																													
6	250 02-01	1	Needle K 22																													
7	250 02-01	1	Needle K 20																													
8	250 02-01	1	Needle K 18																													
9	250 02-01	1	Needle K 16																													
10	250 02-01	1	Needle K 14																													
11	250 02-01	1	Needle K 12																													
12	250 02-01	1	Needle K 10																													
13	250 02-01	1	Needle K 8																													
14	250 02-01	1	Needle K 6																													
15	250 02-01	1	Needle K 4																													
16	250 02-01	1	Needle K 2																													
17	250 02-01	1	Needle K 0																													
18	250 02-01	1	Needle K 0																													
19	250 02-01	1	Needle K 0																													
20	250 02-01	1	Needle K 0																													
21	250 02-01	1	Needle K 0																													
22	250 02-01	1	Needle K 0																													
23	250 02-01	1	Needle K 0																													
24	250 02-01	1	Needle K 0																													
25	250 02-01	1	Needle K 0																													
26	250 02-01	1	Needle K 0																													
27	250 02-01	1	Needle K 0																													
28	250 02-01	1	Needle K 0																													
29	250 02-01	1	Needle K 0																													
30	250 02-01	1	Needle K 0																													
31	250 02-01	1	Needle K 0																													
32	250 02-01	1	Needle K 0																													
33	250 02-01	1	Needle K 0																													

CARBURETTOR JETTING **45**

HUSABERG
4 STROKE FORCE

Pos.	Part No.	Qty/Model	Description				
1	2	3	4	5	6	7	8
1	27020-01	1	Holding tool for wheel 90				
2	27020-01	1	Diff. assembly with gips				
3	27020-01	1	Spring pressure				
4	27020-01	1	Puller tool				
5	27020-01	1	Holding tool				
6	27020-01	1	Holding tool				
7	27020-01	1	Air bleed/stop clutch				
8	27020-01	1	Air bleed/stop clutch				

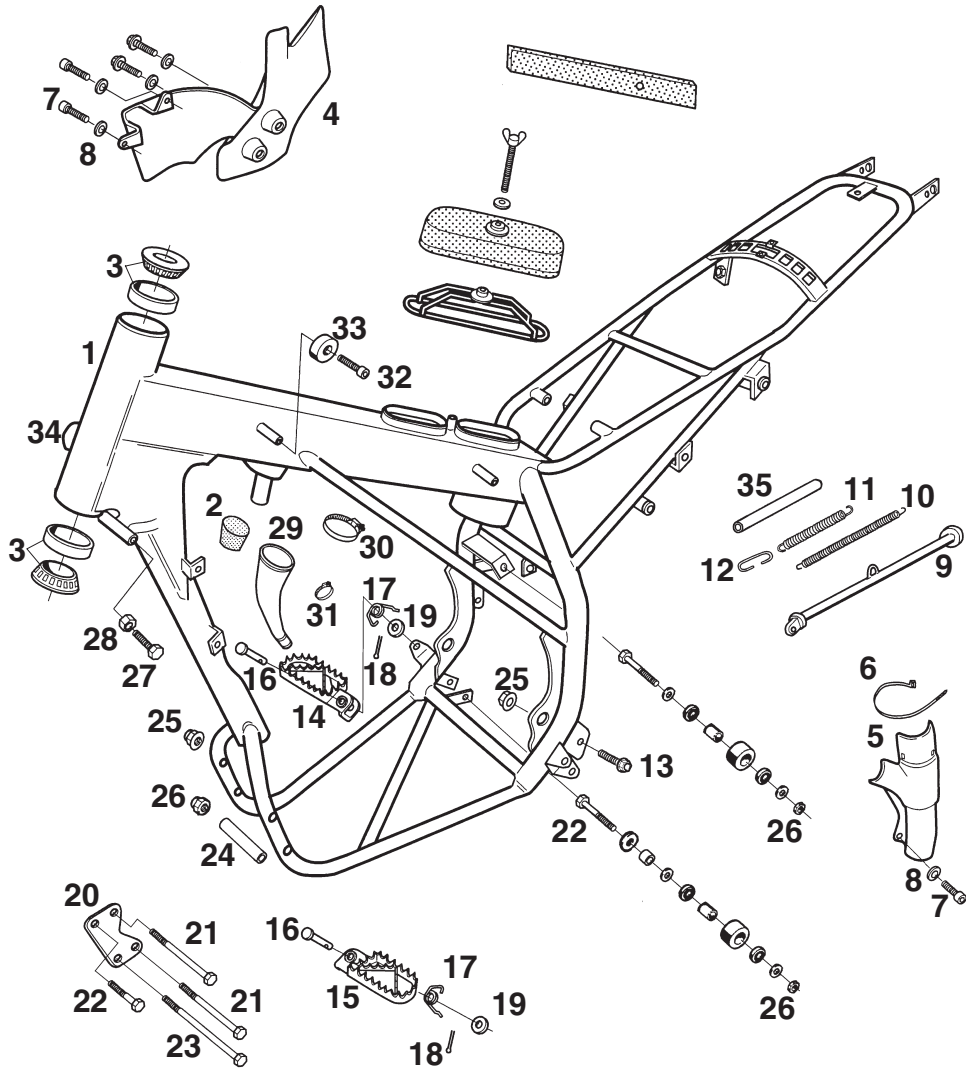
TOOLS **46**

HUSABERG

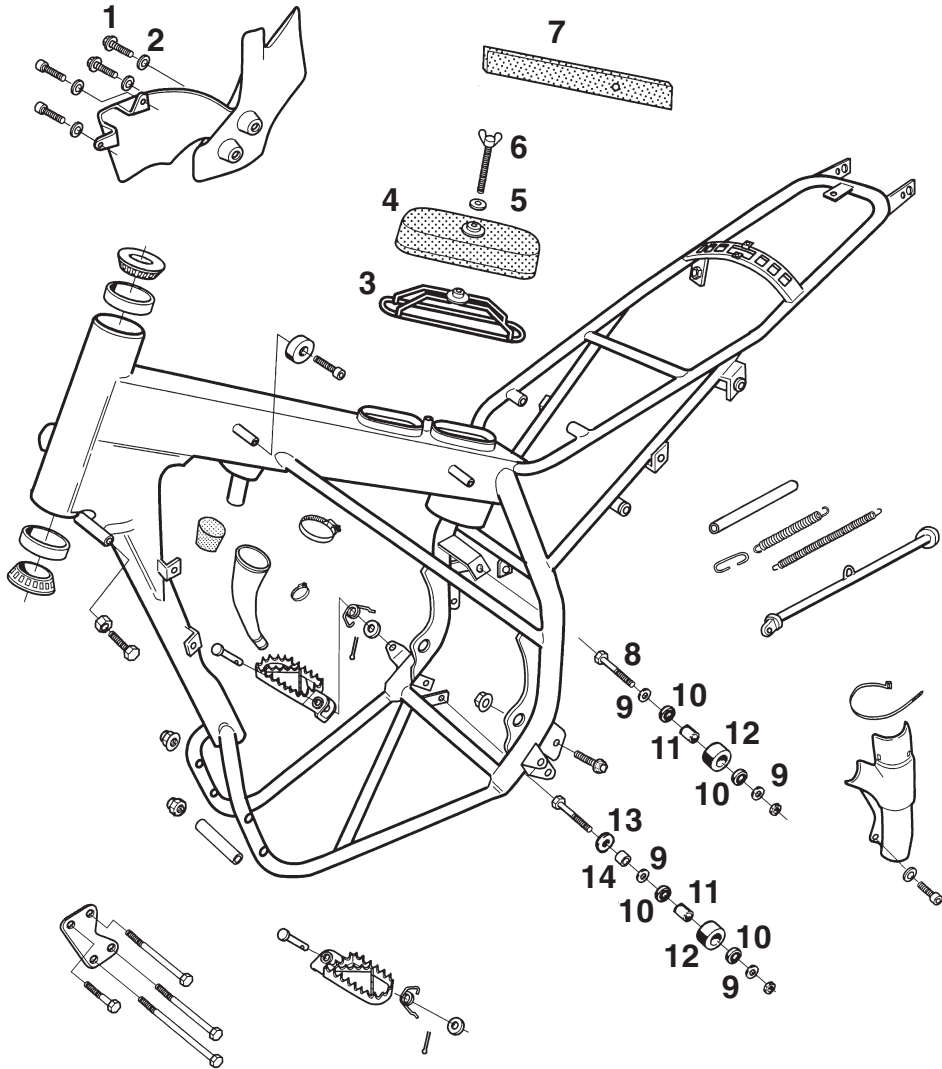
4 STROKE FORCE

recommends

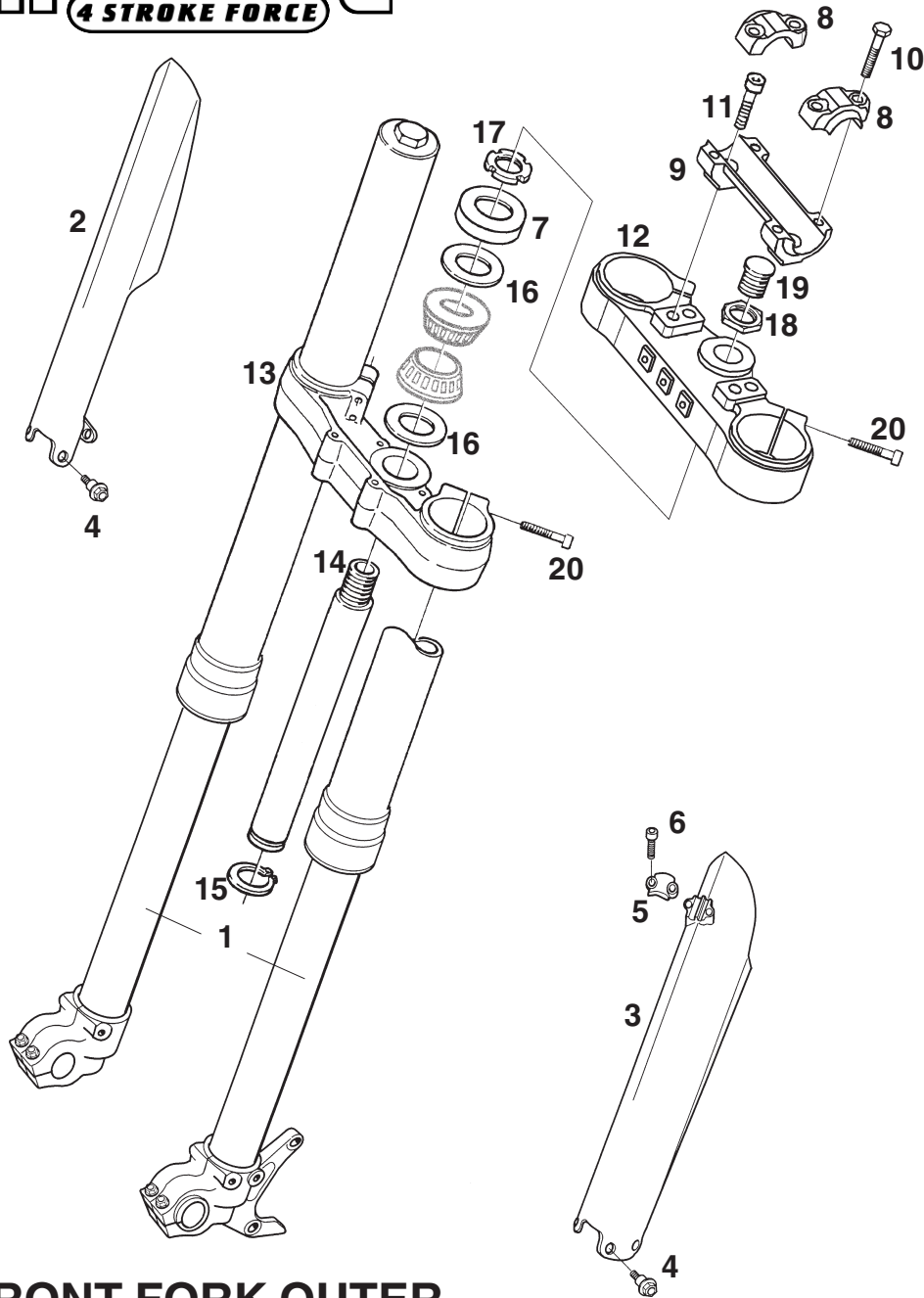
MOTOREX
Oil of Switzerland



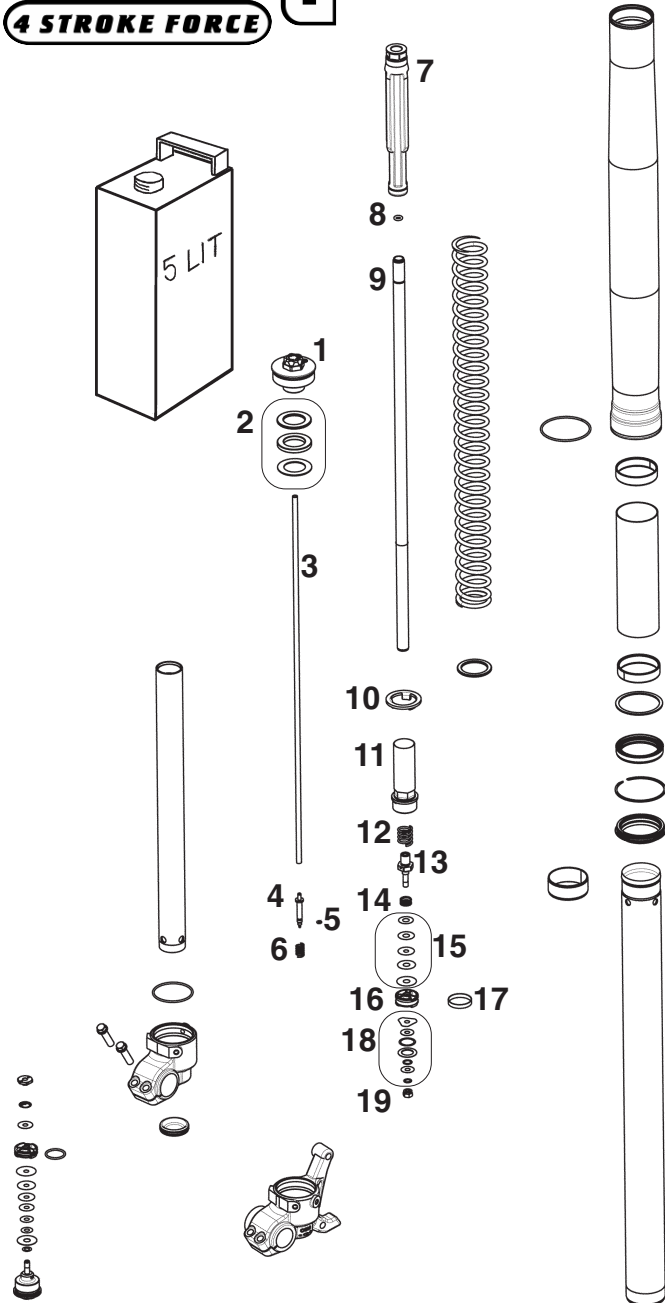
Pos.	Part No	Qty/Model						Description
		FEe	FSe	FSc	FC	FCe	FXe	
1	110 251-01	1	1					Frame blue FEe/FSe 03-
1	110 251-02			1	1	1		Frame blue FSc/FC/FCe 03-
1	110 251-03						1	Frame blue FXe 03-
2	150 242-01	1	1	1	1	1	1	Foam filter oil trap 00-
3	130 019-01	2	2	2	2	2	2	Taper roller bearing 89-
4	160 171-01	1	1	1	1	1	1	Frame protector RH 00-
5	160 172-01	1	1	1	1	1	1	Frame protector LH 00-
6	190 017-01	2	2	2	2	2	2	Straps frame protector 01-
7	305 510-22	3	3	3	3	3	3	Screw 5x10
8	325 010-01	3	3	3	3	3	3	Washer 5,3x10x1
9	120 091-04	1					1	Sidestand compl.blue FEe/FXe 99-
9	120 091-05		1					Sidestand compl. blue FSe 01-
10	120 138-01	1	1				1	Spring inner side stand 00-
11	120 044-01	1	1				1	Spring sidestand 89-
12	120 097-01	1	1				1	Extension sidestand spring 95-
13	408 230-22	1	1				1	Screw (Collar) 8x30 98-
14	170 069-01	1	1	1	1	1	1	Footrest right 00-
15	170 070-01	1	1	1	1	1	1	Footrest left 00-
16	170 071-01	2	2	2	2	2	2	Bolt footrest 00-
17	170 072-01	2	2	2	2	2	2	Spring footrest RH,LH 00-
18	170 025-01	2	2	2	2	2	2	Pin footrest 00-
19	320 018-01	2	2	2	2	2	2	Washer footrest 00-
20	190 051-01	2	2	2	2	2	2	Engine support plate 94-
21	308 611-22	2	2	2	2	2	2	Screw M6S 8x110
22	308 655-22	3	3	3	3	3	3	Screw M6S 8x55
23	190 067-01	1	1	1	1	1	1	Screw M6S 8x180
24	110 128-01	1	1	1	1	1	1	Spacer engine support plate 01-
25	318 810-22	5	5	5	5	5	5	Locknut M8 89-
26	318 801-22	3	3	3	3	3	3	Locknut low M8 89-
27	308 625-22	2	2	2	2	2	2	Screw 8x25
28	318 800-22	2	2	2	2	2	2	Nut steering stop M8
29	150 152-01	1	1	1	1	1	1	Oil trap 00-
30	150 003-01	1	1	1	1	1	1	Clamp 00-
31	150 028-01	1	1	1	1	1	1	Clamp 00-
32	306 512-22	4	4	4	4	4	4	Screw 5x12
33	160 176-01	4	4	4	4	4	4	Rubber attachment fuel tank 00-
34	110 172-01	1	1					Steering head lock 98-
35	140 055-02	1	1				1	Cover spring side stand 89-



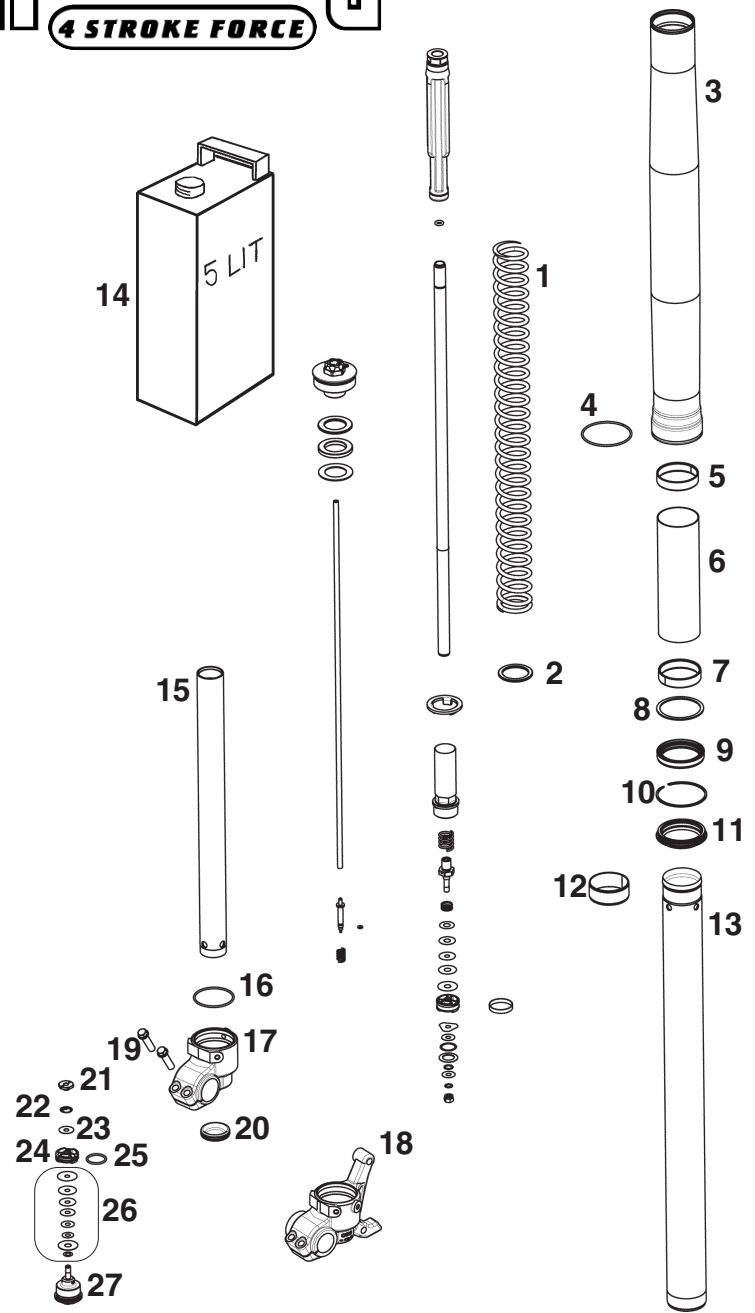
Pos.	Part No	Qty/Model						Description
		FEE	FSe	FSc	FC	FCe	FXe	
1	406 120-22	2	2	2	2	2	2	Screw (collar) 6x20 98-
2	140 051-01	2	2	2	2	2	2	Spacer 00-
3	150 167-01	1	1	1	1	1	1	Air filter basket 00-
4	150 166-01	1	1	1	1	1	1	Air filter 00-
5	326 022-01	1	1	1	1	1	1	Washer 6x22x1,5
6	150 196-01	1	1	1	1	1	1	Screw air filter 00-
7	150 187-01	2	2	2	2	2	2	Air filter protection 00-
8	308 650-22	1	1	1	1	1	1	Screw M6S 8x50
9	328 017-01	4	4	4	4	4	4	Washer 8,4x16x1,5
10	360 011-01	4	4	4	4	4	4	Ball bearing chain roller 89-
11	120 057-01	2	2	2	2	2	2	Spacer chain roller 89-
12	120 056-01	2	2	2	2	2	2	Chain roller 89-
13	328 022-01	1	1	1	1	1	1	Washer 8x22x1,5
14	170 009-01	1	1	1	1	1	1	Spacer 00-



Pos.	Part No	Qty/Model						Description
		FEe	FSe	FSc	FC	FCe	FXe	
1	130 201-01	1						Front fork WP (right + left leg) FE 03-
1	130 202-01				1	1	1	Front fork WP (right + left leg) FC/FCe/FXe 03-
1	130 203-01		1	1				Front fork WP (right + left leg) FSe/FSc 03-
2	130 169-01	1	1	1	1	1	1	Front fork protector blue right 00-
3	130 170-01	1	1	1	1	1	1	Front fork protector blue left 00-
4	160 184-01	6	6	6	6	6	6	Screw front fork protector 00-
5	130 171-01	1	1	1	1	1	1	Holder brake hose 00-
6	160 037-01	2	2	2	2	2	2	Screw holder brake hose 00-
7	130 150-01	1	1	1	1	1	1	Steering head cover 00-
8	130 214-01	2	2	2	2	2	2	Handlebar clamp upper 03-
9	130 213-01	1	1	1	1	1	1	Handlebar clamp lower 03-
10	408 230-22	4	4	4	4	4	4	Screw 8x30 03-
11	130 221-01	2	2	2	2	2	2	Screw DIN0912 10x25 w.lock 03-
12	130 215-01	1	1	1	1	1	1	Triple clamp upper 03-
13	130 218-01	1	1	1	1	1	1	Triple clamp low. cpl. 03- (Incl.pos. 14, 15)
14	130 217-01	1	1	1	1	1	1	Steering stem 03-
15	330 025-01	1	1	1	1			Circlip SGA 25 89-
16	130 016-01	2	2	2	2	2	2	Spacer ring 97-
17	130 216-01	1	1	1	1	1	1	Nut steering head bearing 03-
18	130 018-01	1	1	1	1	1	1	Nut steering head top 89-
19	110 100-01	1	1	1	1	1	1	Steering stem plug 89-
20	308 530-22	8	8	8	8	8	8	Screw 8x30 00-

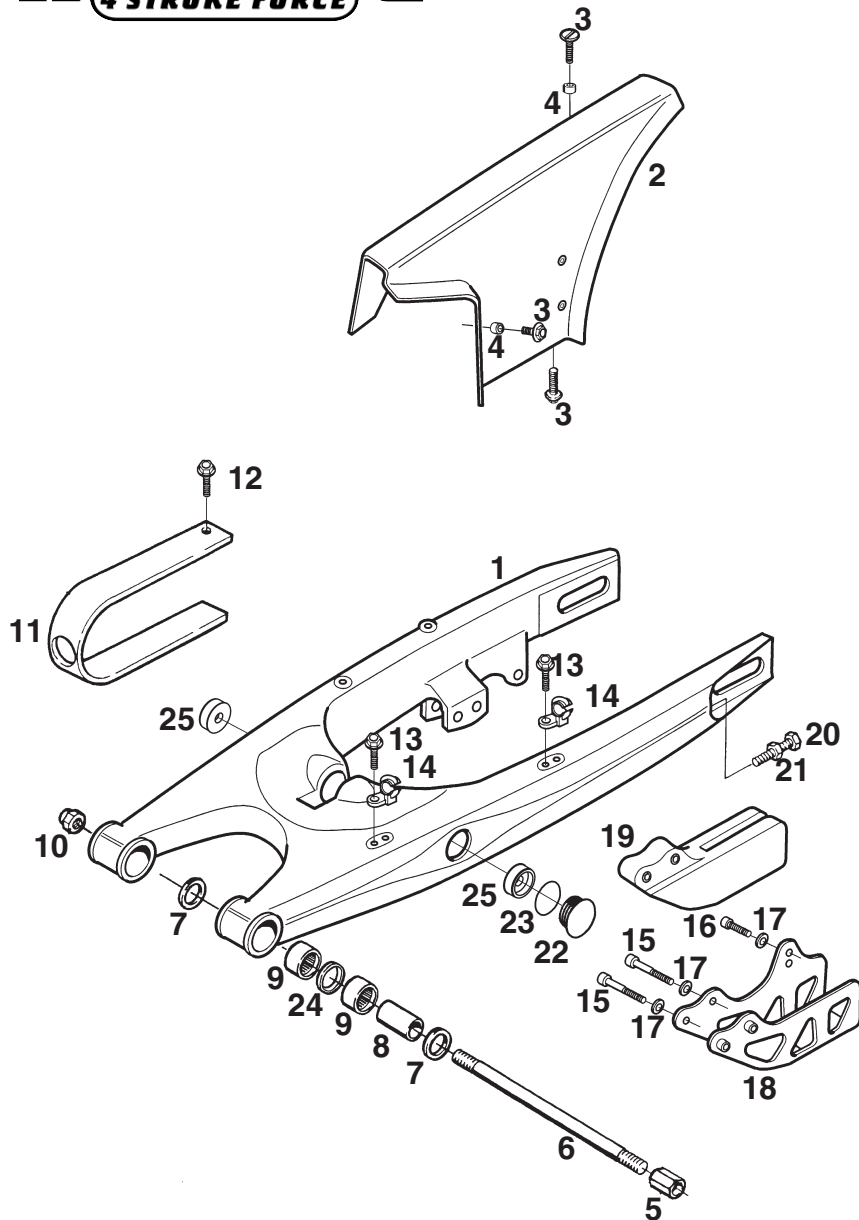


Pos.	Part No	Qty/Model						Description
		FEe	FSe	FSc	FC	FCe	FXe	
1	4860.0020S1	2	2	2	2	2	2	Screw cap M51x1,5 complete
2	4860.0036	2	2	2	2	2	2	Spacer 42x26,5x2,5
2	4860.0037	4	4	4	4	4	4	Spacer 42x26,5x5
2	4860.0053	4	4	4	4	4	4	Spacer 42x26,5x1,5
3	4860.0014	2			2	2	2	Adjustment tube L:512
3	4860.0158		2	2				Adjustment tube L:477
4	4860.0189	2	2	2	2	2	2	Rebound needle
5	4681.0046	2	2	2	2	2	2	O-ring 3x1.5
6	4860.0033	2	2	2	2	2	2	Spring rebound needle C=4N/mm
7	4860.0241S	2	2	2	2	2	2	Stop L200 complete
8	4860.0175	2	2	2	2	2	2	O-ring 5.3x2.4
9	4860.0250	2			2	2	2	Piston rod d14 L546
9	4860.0252		2	2				Piston rod d14 L511
10	4860.0021	2	2	2	2	2	2	Spring seat ø26,2x43x3
11	4860.0196	2			2	2	2	Bottoming sleeve M29,3x1 L:90
11	4860.0200		2	2				Bottoming sleeve M29,3x1 L:65
12	4860.0192	2			2	2	2	Topout spring L34.5 d15 c5.8
12	4860.0015		2	2				Topout spring L24 d14.6
13	4860.0203	2			2	2	2	Tap rebound d3 -03
13	4860.0151		2	2				Tap rebound d3
14	3548.0377	2	2	2	2	2	2	Spring check valve c1.5
15	4357.0120	2			2	2	2	Shim 8x18x0.10
15	4860.0215	2			2	2	2	Check valve 8x20x0.10
15	4860.0216	2			2	2	2	Check valve 8x22x0.10
15	4860.0062	8	8	8	10	10	10	Check valve 8x24x0.10
16	4860.0042	2	2	2	2	2	2	Rebound piston
17	4860.0060	2	2	2	2	2	2	Rebound piston ring 5x1x84
18	4054.0414	2	2	2	2	2	2	Shim 6x16x0.25
18	4054.0450	4			4	4	4	Back plate 6x9.5x0.30
18	4054.0447		2	2				Back plate 6x10x0.30
18	4860.0065	4			4	4	4	Shim 6x20x0.10
18	4860.0069		6	6				Shim 6x20x0.15
18	4860.0212	2	2	2	2	2	2	Ring shims 20x16.25x0.20
18	4054.0402	2	2	2	2	2	2	Shim 6x16x0.10
18	4860.0116	4	8	8	4	4	4	Shim 3c 6x24x0.10 L=9
19	4054.0486	2	2	2	2	2	2	Rebound nut M6x0.5

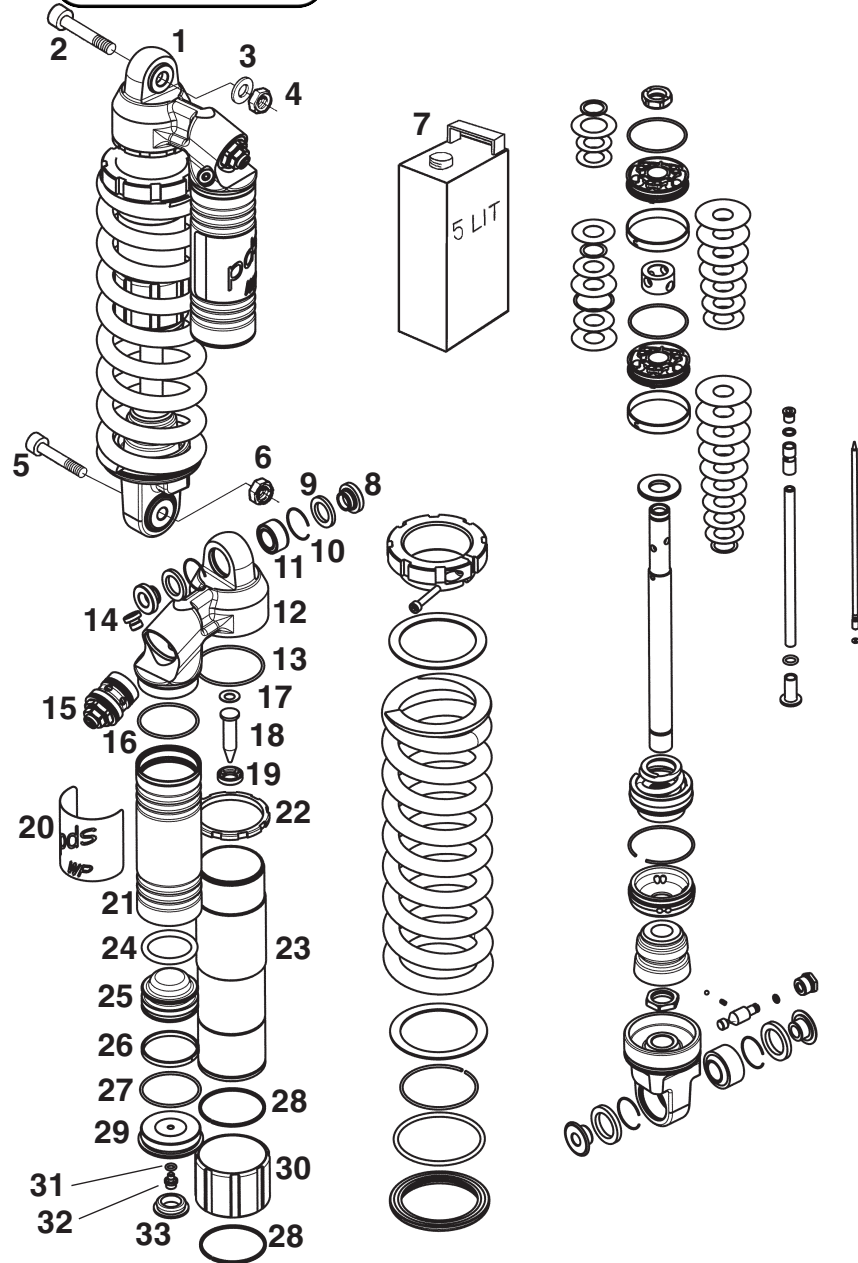


Pos.	Part No	Qty/Model						Description
		FEe	FSe	FSc	FC	FCe	FXe	
1	9141.0014	2						Spring 432.505.00.042W d5.0
1	9141.0015				2	2	2	Spring 432.505.00.044W d5.1
1	9141.0006		2	2				Spring 432.485.00.052W d5.1
2	4860.0113	2	2	2	2	2	2	Spring seat d32xd42x2.5
3	4860.0244	2	2	2	2	2	2	Outer tube 54/60 L577 3L nat -03
4	4860.0016	2	2	2	2	2	2	Glide ring d58
5	4860.0236	2	2	2	2	2	2	DU-bushing d48xd51x12
6	4860.0245	2	2	2	2	2	2	Spacer 50.95x0.85x161.5
7	4860.0205	2	2	2	2	2	2	DU-bushing d48xd52x12
8	4860.0013	2	2	2	2	2	2	Washer d50xd57x1.5
9	4860.0185	2	2	2	2	2	2	Seal d48xd58x9.5
10	4860.0070	2	2	2	2	2	2	Circlip SB58 mod.
11	4860.0186	2	2	2	2	2	2	Dust wiper d48
12	4860.0204	2	2	2	2	2	2	DU-bushing d47xd49x20 Daido
13	4860.0240	2	2	2	2	2	2	Inner tube d48 L595 -03
14	4860.0211S1							Fork oil SAE 5 -03 5 lit.
15	4860.0140	2	2	2				Tube d28 M29.3x1 L385 alu d8.5
15	4860.0081				2	2	2	Tube d28 M29.3x1 L390 alu d8.5
16	4860.0048	2	2	2	2	2	2	O-ring 46x2
17	4860.0238	1	1	1	1	1	1	Axle clamp right -03
18	4860.0237	1	1	1	1	1	1	Axle clamp left -03
19	5060.0061	4	4	4	4	4	4	Bolt M8x30
20	4860.0141	2	2	2	2	2	2	Rubber cover
21	4860.0163	2	2	2	2	2	2	Check valve nut M6x0,5 2xd2
22	4860.0202	2	2	2	2	2	2	Spring check valve dr ø0.7
23	4860.0061	2	2	2	2	2	2	Check valve d8xd24x0,4
24	4860.0047	2	2	2	2	2	2	Piston compression
25	4681.1499	2	2	2	2	2	2	O-ring 21x2
26	4054.0415	2	2	2	2	2	2	Shim 6x18x0.25
26	4054.0447	2						Back plate 6x10x0.30
26	4054.1417		2	2	2	2	2	Shim 6x11x0.25
26	4054.0401	2			2	2	2	Shim 6x14x0.10
26	4054.0405		2	2				Shim 6x14x0.15
26	4054.0402	2			2	2	2	Shim 6x16x0.10
26	4054.0406		2	2				Shim 6x16x0.15
26	4054.0403	2	2	2	2	2	2	Shim 6x18x0.10
26	4860.0065	2	4	4	4	4	4	Shim 6x20x0.10
26	4860.0064	4	4	4	6	6	6	Shim 6x22x0.10
26	4860.0063	12	18	18	18	18	18	Shim 6x24x0.10
27	4860.0152S1	2	2	2	2	2	2	Tap compression complete

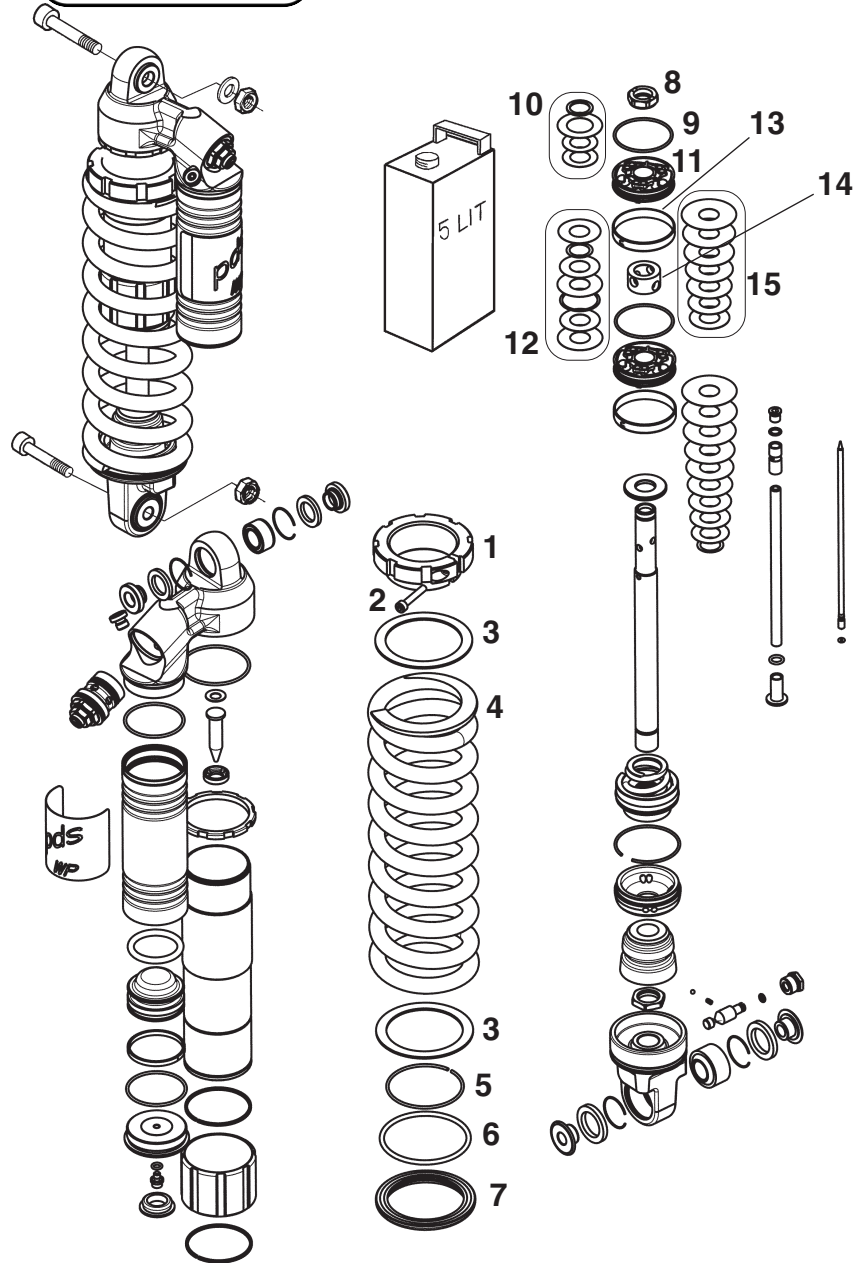
FRONT FORK INNER PART 2



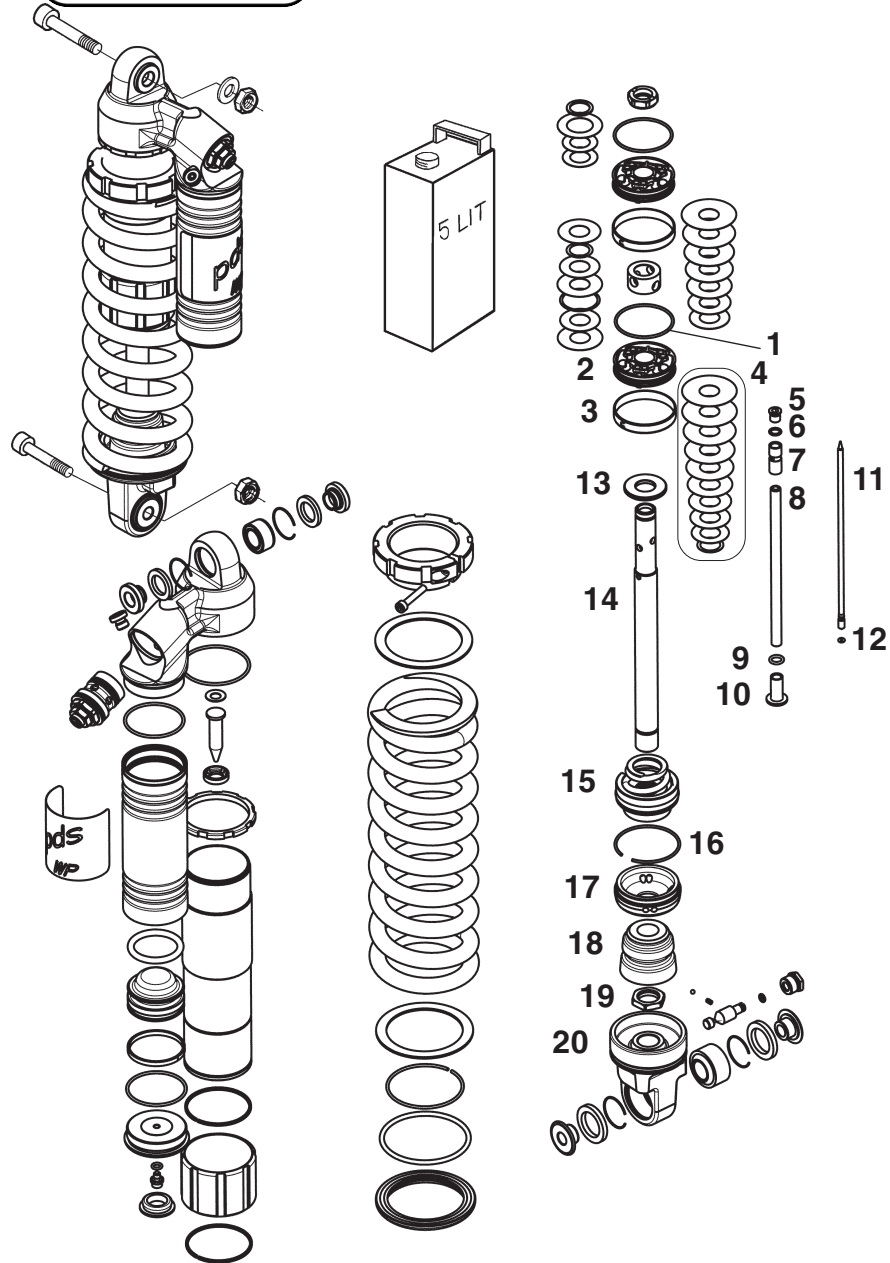
Pos.	Part No	Qty/Model						Description
		FEe	FSe	FSc	FC	FCe	FXe	
1	120 157-01	1	1	1	1	1	1	Swingarm compl. PDS 01- (swingarm including position 3, 7-9, 11-14, 20-25)
2	120 155-01	1	1					Chain protection 01-
3	406 110-22	3	3					Screw (Collar) 6x10
4	140 051-01	2	2					Spacer
5	120 055-01	1	1	1	1	1	1	Nut swingshaft 89-
6	120 016-01	1	1	1	1	1	1	Swingarm shaft 89-
7	120 022-01	4	4	4	4	4	4	Sealing swingarm 00-
8	120 013-01	2	2	2	2	2	2	Spacer swingarm shaft 89-
9	120 021-01	4	4	4	4	4	4	Needlebearing swingarm 89-
10	120 045-01	1	1	1	1	1	1	Locknut M16x1.5
11	120 052-03	1	1	1	1	1	1	Swingarm protection 01-
12	406 110-22	2	2	2	2	2	2	Screw (Collar) 6x10
13	405 216-22	2	2	2	2	2	2	Screw (Collar) clamp brake hose 5x16
14	120 132-01	2	2	2	2	2	2	Retain.clamp for brake hose 00-
15	306 550-22	2	2	2	2	2	2	Screw chain guide 6x50
16	306 516-22	1	1	1	1	1	1	Screw chain guide 5x16
17	326 012-01	3	3	3	3	3	3	Washer 6,4x14x1,5
18	120 127-01	1	1	1	1	1	1	Chain guide holder 00-
19	120 128-01	1	1	1	1	1	1	Chain guide 00-
20	120 011-01	2	2	2	2	2	2	Adjustment screw drivechain
21	318 800-22	2	2	2	2	2	2	Nut M8
22	120 153-01	4	4	4	4	4	4	Plug swingarm 01-
23	340 119-01	4	4	4	4	4	4	O-ring swingarm plug 01-
24	120 156-01	2	2	2	2	2	2	Spacer swingarm bearing 01-
25	120 118-01	2	2	2	2	2	2	Steel bushing 01-



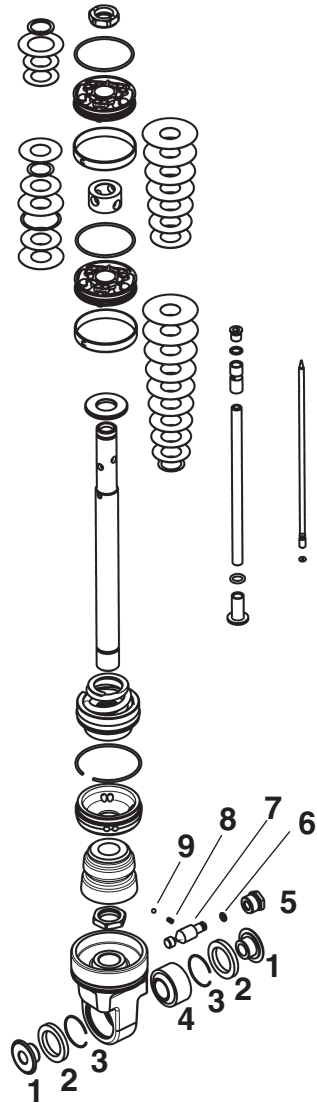
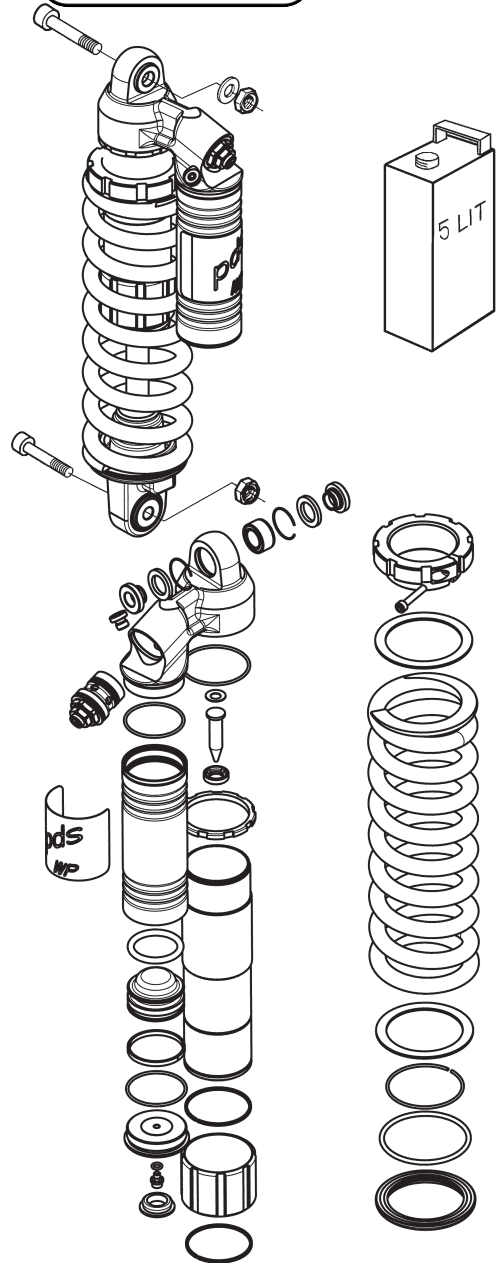
Pos.	Part No	Qty/Model						Description
		FEe	FSe	FSc	FC	FCe	FXe	
1	120 171-01	1						Shockabsorber FE 03-
1	120 172-01				1	1	1	Shockabsorber FC 03-
1	120 173-01		1	1				Shockabsorber FS 03-
2	120 140-01	1	1	1	1	1	1	Screw upper MC6S 12.9 12x50
3	322 022-01	1	1	1	1	1	1	Washer upper 12x22x2
4	312 801-22	1	1	1	1	1	1	Nut upper M12
5	120 119-01	1	1	1	1	1	1	Screw lower MC6S 12.9 10x48
6	310 801-22	1	1	1	1	1	1	Locknut M10 low
7	4681.020851							Shock absorber fluid 5 lit
8	4618.0061	2	2	2	2	2	2	Balljoint spacer 12x26
9	4618.0003	2	2	2	2	2	2	Balljoint seal d25
10	5018.0168	2	2	2	2	2	2	Circlip d25
11	5018.0005	1	1	1	1	1	1	Balljoint 1525 HD
12	5018.0357	1	1	1	1	1	1	Top piece VP H30.5 82deg B21 -03
13	5018.0097	1	1	1	1	1	1	O-ring 52x2
14	5018.0095	1	1	1	1	1	1	Fill plug R1/8
15	5018.0213S4	1	1	1	1	1	1	Compression adjuster compl.
16	4681.0340	1	1	1	1	1	1	O-ring 45x2
17	5018.0177	1	1	1	1	1	1	Belleville washer16x8.2x0.6
18	5018.0359	1	1	1	1	1	1	PDS needle d10 L33/47
19	5018.0271	1	1	1	1	1	1	Nut needle M20x1 d11 H5
20	5200.0041	1	1	1	1	1	1	WP sticker
21	5018.0096	1	1	1	1	1	1	Reservoir tube L140 d46
22	5018.0270	1	1	1	1	1	1	Locknut tube/top piece
23	5018.0309	1	1	1	1	1	1	Tube L193
24	4681.1043	1	1	1	1	1	1	O-ring viton 35x5
25	5018.0108	1	1	1	1	1	1	Separating piston
26	4681.0324	1	1	1	1	1	1	Separating piston ring 3.9x1.5x138
27	4681.0340	1	1	1	1	1	1	O-ring 45x2
28	5018.0133	2	2	2	2	2	2	Circlip 50x1.5
29	4681.1209	1	1	1	1	1	1	Reservoir cap d46 M5
30	5018.0081	1	1	1	1	1	1	Spring guide L40
31	4681.0893	1	1	1	1	1	1	O-ring 5.28x1.78
32	3612.0151	1	1	1	1	1	1	Screw M5x6
33	4681.1208	1	1	1	1	1	1	Rubber cap



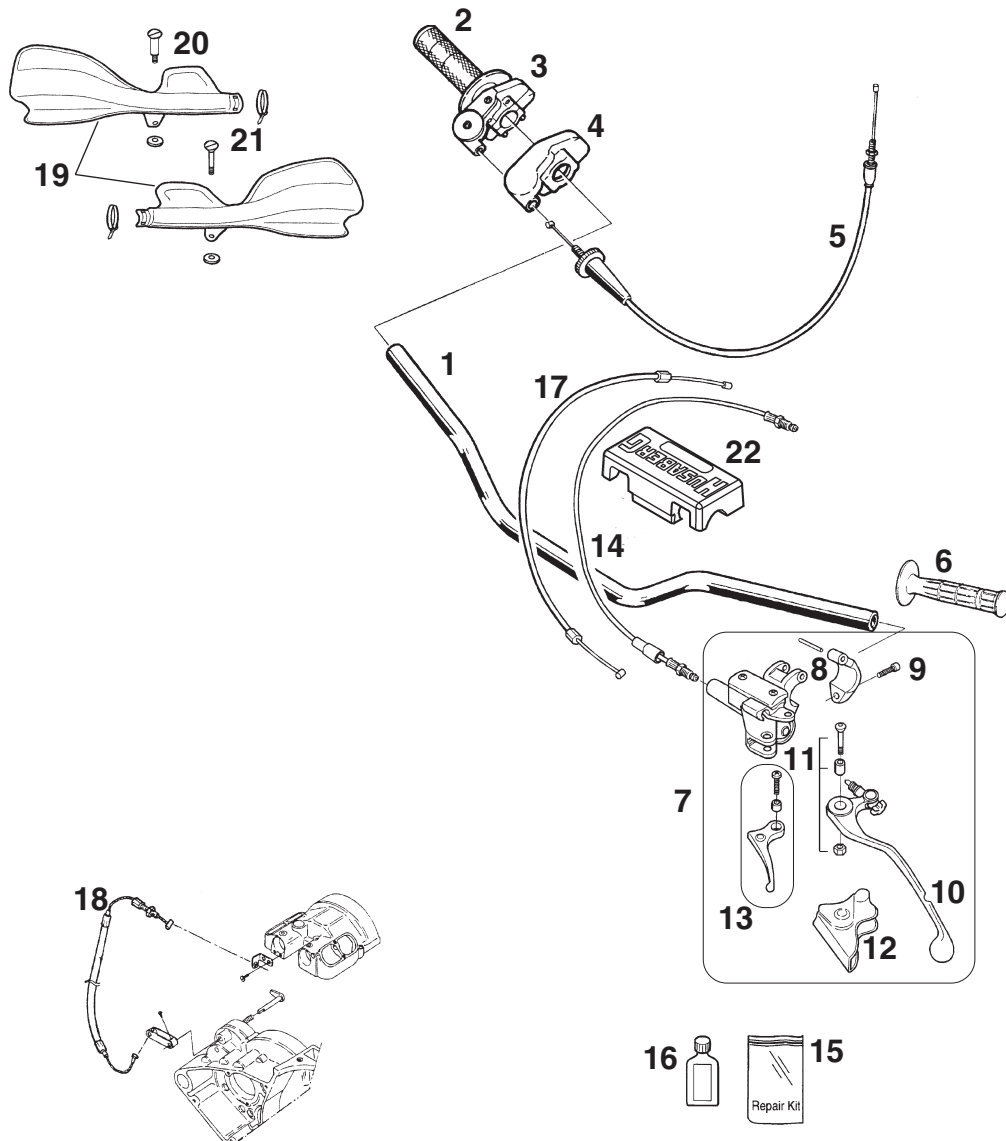
Pos.	Part No	Qty/Model						Description
		FEe	FSe	FSc	FC	FCe	FXe	
1	5018.0354	1	1	1	1	1	1	Spring retainer
2	5018.0327	1	1	1	1	1	1	Screw M5x30
3	5018.0114	2	2	2	2	2	2	Washer spring
4	9121.0015	1						Spring 71-90 / 260 d13
4	9121.0016				1	1	1	Spring 76-95 / 260 d13
4	9121.0005		1	1				Spring 84 / 250 d13
4	9121.0017							Spring 81-99 / 260
5	5018.0273	1	1	1	1	1	1	Circlip 58.2x2
6	5018.0352	1	1	1	1	1	1	O-ring viton 66.27x3.53
7	5018.0355	1	1	1	1	1	1	Spring retainer sealed d80
8	5018.0141	1	1	1	1	1	1	Piston rod nut M16x1
9	5018.0099	1	1	1	1	1	1	O-ring viton 44.17x1.78
10	5018.0072	1			1	1	1	Shim 16x28x0.30
10	5018.0054		1	1				Shim 16x28x0.20
10	5018.0209	1	1	1	1	1	1	Ring shims 21x36x0.25
10	5018.0210	1	1	1	1	1	1	Washer 16x21x1
11	5018.0197	1	1	1	1	1	1	Secondary piston 6+6x7/4.5
12	5018.0035	1			1	1	1	Back plate 16x21x0.30
12	5018.0034		1	1				Back plate 16x20x0.30
12	5018.0047	1			1	1	1	Shim 16x32x0.15
12	5018.0057	1			1	1	1	Shim 16x34x0.20
12	5018.0058	1	1	1	1	1	1	Shim 16x36x0.20
12	4681.1637	1	1	1	1	1	1	Ring shim 36x32.25x0.30
12	5018.0065	1						Shim 16x32x0.25
12	5018.0056		1	1				Shim 16x32x0.20
12	5018.0047				1	1	1	Shim 16x32x0.15
12	5018.0058	1			1	1	1	Shim 16x36x0.20
12	5018.0049		1	1				Shim 16x36x0.15
13	5018.0135	1	1	1	1	1	1	Piston ring d50x8 DU
14	5018.0269	1	1	1	1	1	1	Piston separator d26xd16x14.5/d8
15	5018.0074	1	1	1	1	1	1	Shim 16x32x0.30
15	5018.0075	1	1	1	1	1	1	Shim 16x34x0.30
15	5018.0076	1	1	1	1	1	1	Shim 16x36x0.30
15	5018.0077	1	1	1	1	1	1	Shim 16x38x0.30
15	5018.0078	1	1	1	1	1	1	Shim 16x40x0.30
15	5018.0070	1						Shim 16x42x0.25
15	5018.0079		1	1	1	1	1	Shim 16x42x0.30
15	5018.0071	1	1	1				Shim 16x44x0.25
15	5018.0080				1	1	1	Shim 16x44x0.30



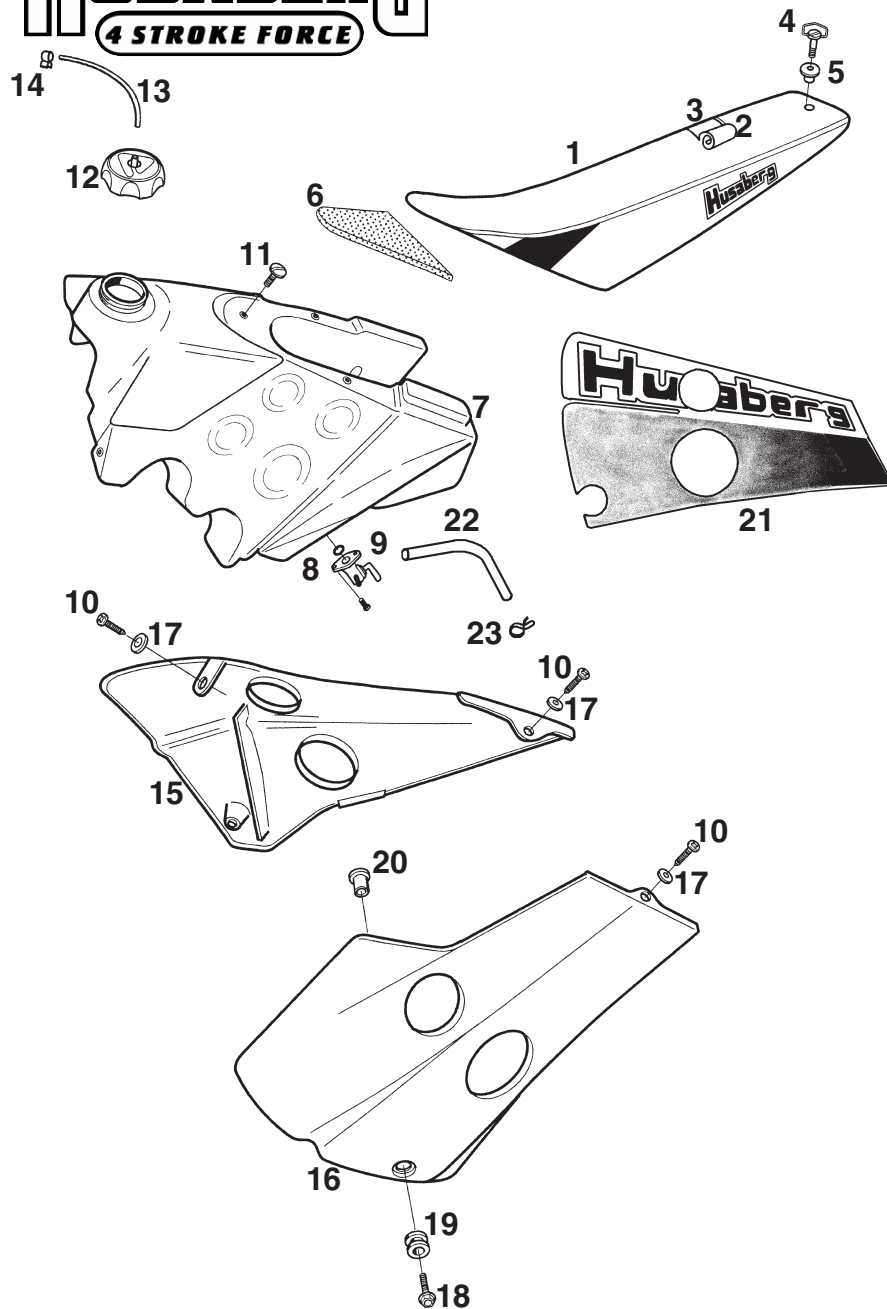
Pos.	Part No	Qty/Model						Description
		FEe	FSe	FSc	FC	FCe	FXe	
1	5018.0099	1	1	1	1	1	1	O-ring viton 44.17x1.78
2	5018.0311	1	1	1	1	1	1	Primary piston 6+6x7/4.5 Vb1.0
3	5018.0135	1	1	1	1	1	1	Piston ring d50x8 DU
4	5018.0035	1						Back plate 16x21x0.30
4	5018.0036				1	1	1	Back plate 16x22x0.30
4	5018.0034		1	1				Back plate 16x20x0.30
4	5018.0055	1	1	1	1	1	1	Shim 16x30x0.20
4	5018.0056	1	1	1	1	1	1	Shim 16x32x0.20
4	5018.0057	1	1	1	1	1	1	Shim 16x34x0.20
4	5018.0058	1	1	1				Shim 16x36x0.20
4	5018.0067				1	1	1	Shim 16x36x0.25
4	5018.0068	1			1	1	1	Shim 16x38x0.25
4	5018.0059		1	1				Shim 16x38x0.20
4	5018.0069	1	1	1	1	1	1	Shim 16x40x0.25
4	5018.0070	1	1	1	1	1	1	Shim 16x42x0.25
4	5018.0071	1	1	1	1	1	1	Shim 16x44x0.25
4	5018.0315	1			1	1	1	Ring shim 44x40x0.30
4	5018.0069	1			1	1	1	Shim 16x40x0.25
4	5018.0071	1			1	1	1	Shim 16x44x0.25
5	5018.0200	1	1	1	1	1	1	Closing bush M8x1
6	5018.0157	1	1	1	1	1	1	O-ring viton 7x1.5
7	5018.0201	1	1	1	1	1	1	Seat needle
8	5018.0264	1			1	1	1	Tube M8x1 L151.5
8	5018.0284		1	1				Tube M8x1 L143.5
9	4860.0049	1	1	1	1	1	1	O-ring 8x2
10	5018.0279	1	1	1	1	1	1	Tube adapter M8x1 L23
11	5018.0261	1			1	1	1	Needle L175
11	5018.0278		1	1				Needle L167
12	4681.1265	1	1	1	1	1	1	O-ring 2.2x1.6
13	5018.0313	1			1	1	1	Rebound disc d34
13	5018.0224		1	1				Rebound disc H13
14	5018.0294	1			1	1	1	Piston rod d18 Lc153 M16x1
14	5018.0291		1	1				Piston rod d18 Lc146 M16x1
15	5018.0384S	1			1	1	1	Seal block d50 H26.5
15	5018.0118S2		1	1				Seal block d50 H28.5
16	5018.0126	1	1	1	1	1	1	Circlip 53x1.75
17	5018.0165	1	1	1	1	1	1	Cover d50
18	5018.0276	1	1	1	1	1	1	Bumprubber WP60 d18-d26
19	5018.0283	1	1	1	1	1	1	Counter nut M18x1 H5
20	5018.0358	1	1	1	1	1	1	Bottom piece L54 B20 d32



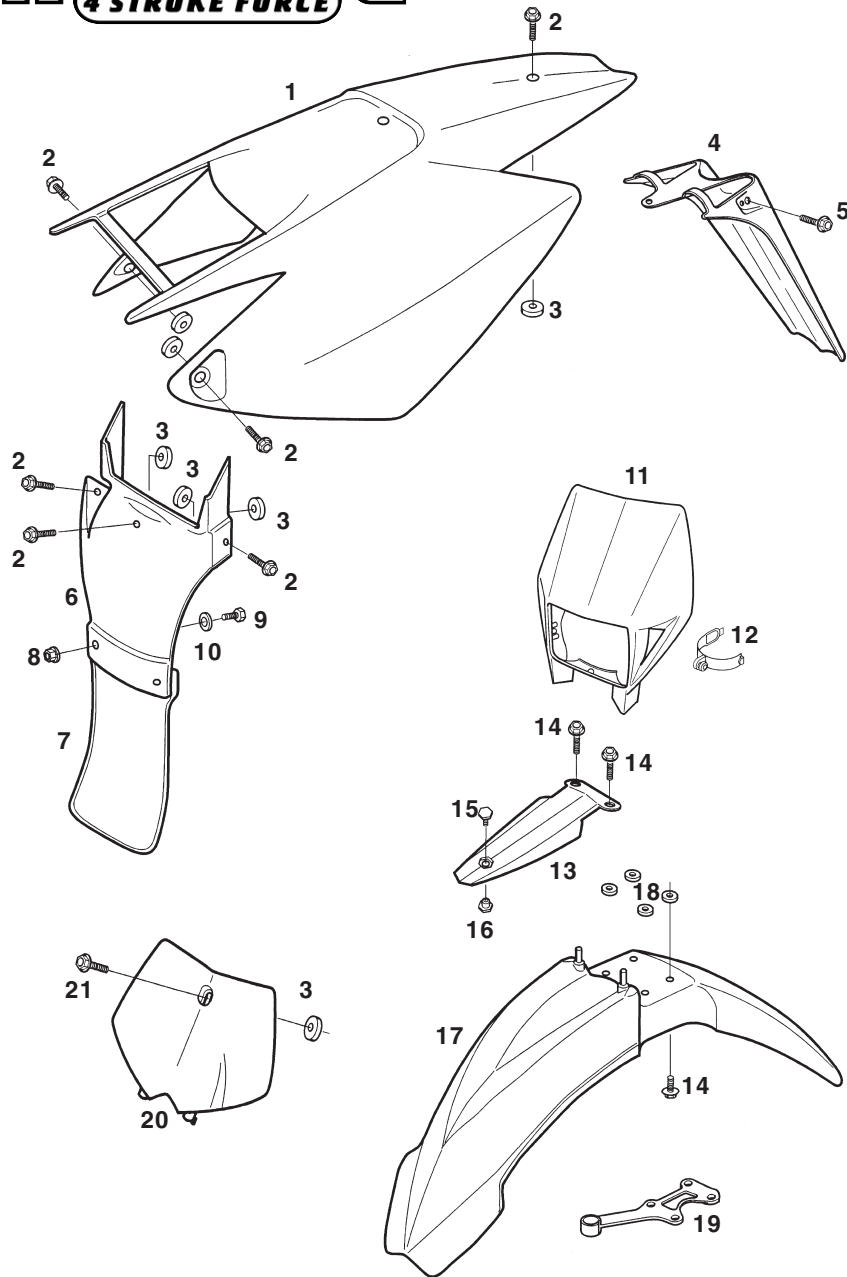
Pos.	Part No	Qty/Model						Description
		FEe	FSe	FSc	FC	FCe	FXe	
1	5018.0153	2	2	2	2	2	2	Ball joint spacer d32 10x26
2	5018.0159	2	2	2	2	2	2	Ball joint seal d32
3	5018.0175	2	2	2	2	2	2	Circlip d32
4	5018.0179	1	1	1	1	1	1	Ball joint 1632
5	5018.0281	1	1	1	1	1	1	Rebound adjuster cap M14x1
6	5018.0222	1	1	1	1	1	1	O-ring 4x1.5
7	5018.0280	1	1	1	1	1	1	Rebound adjuster screw 80deg L39
8	4054.0602	1	1	1	1	1	1	Spring d2.9 L5.5
9	4054.0603	1	1	1	1	1	1	Ball d3



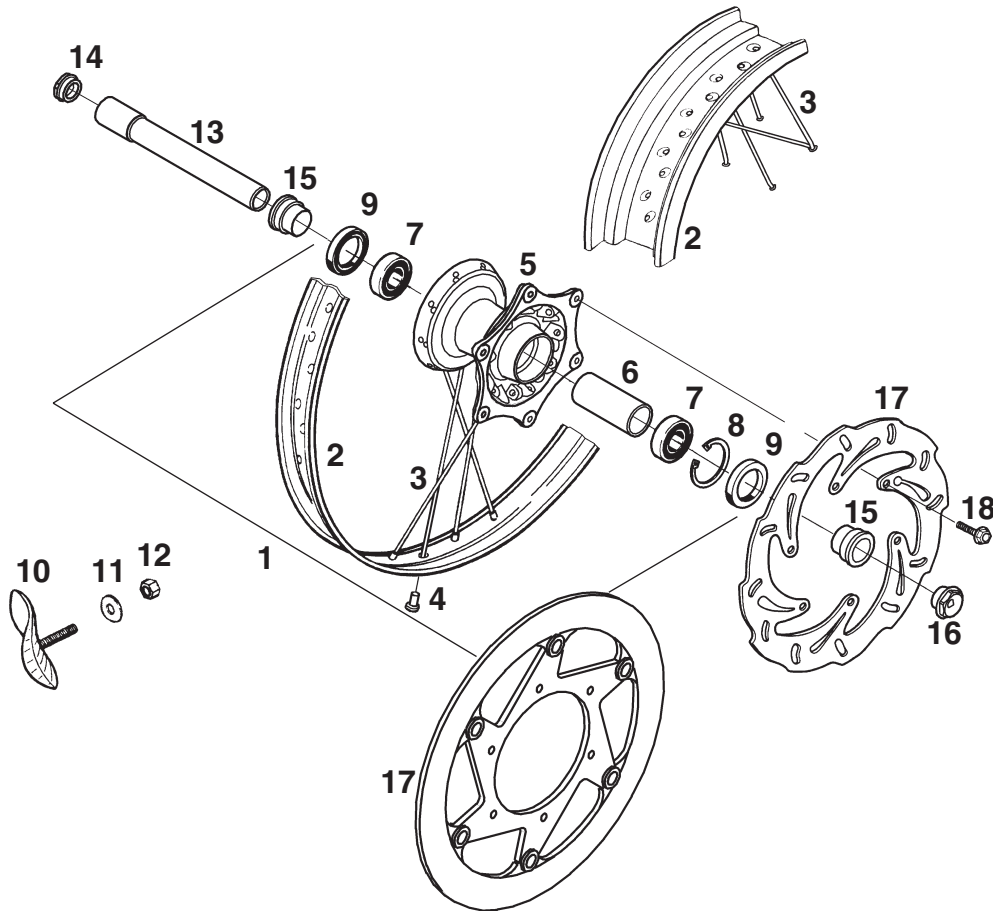
Pos.	Part No	Qty/Model						Description
		FEe	FSe	FSc	FC	FCe	FXe	
1	170 050-01	1	1	1	1	1	1	Handlebar (Magura) "titanium" anodized 98-
2	170 015-02	1	1	1	1	1	1	Rubber handle right 89-
3	170 059-01	1	1	1	1	1	1	Throttle grip 99-
4	170 053-01	1	1	1	1	1	1	Rubber protection twist grip 99-
5	170 060-01	1	1	1	1	1	1	Throttle wire 99-
6	170 016-02	1	1	1	1	1	1	Rubber handle left 89-
7	170 067-01	1	1	1	1	1	1	Mastercylinder clutch compl 00- (Incl. Pos. No. 8, 9, 10, 11, 12, 13)
8	170 085-01	1	1	1	1	1	1	Clamp with pin 00-
9	406 216-22	1	1	1	1	1	1	Screw 6x16
10	170 082-01	1	1	1	1	1	1	Clutch lever 00-
11	170 088-01	1	1	1	1	1	1	Screw, bushing & nut clutch lever 00-
12	170 084-01	1	1	1	1	1	1	Protection clutch lever 00-
13	170 083-01	1	1	1	1	1	1	Decompression lever incl. bush.&screw 00-
14	230 135-01	1	1	1	1	1	1	Hydraulic clutch hose incl. connections 00-
15	170 086-01	1	1	1	1	1	1	Repair kit piston hydraulic clutch 00-
16	170 089-01	1	1	1	1	1	1	Oil hydraulic clutch 50ml 00-
17	170 078-01	1	1	1	1	1	1	Decompression wire; manually operated 00-
18	230 043-01	1	1	1	1	1	1	Decompression wire; kickstart operated 89-
19	170 087-02	1	1	1	1	1	1	Handguard kit left+right yellow 03-
20	170 080-01	1	1	1	1	1	1	Screw M6 special handguard version 00-
21	170 079-01	1	1	1	1	1	1	Screw M5 special handguard version 00-
22	170 102-01	1	1	1	1	1	1	Clamp cushion 03-



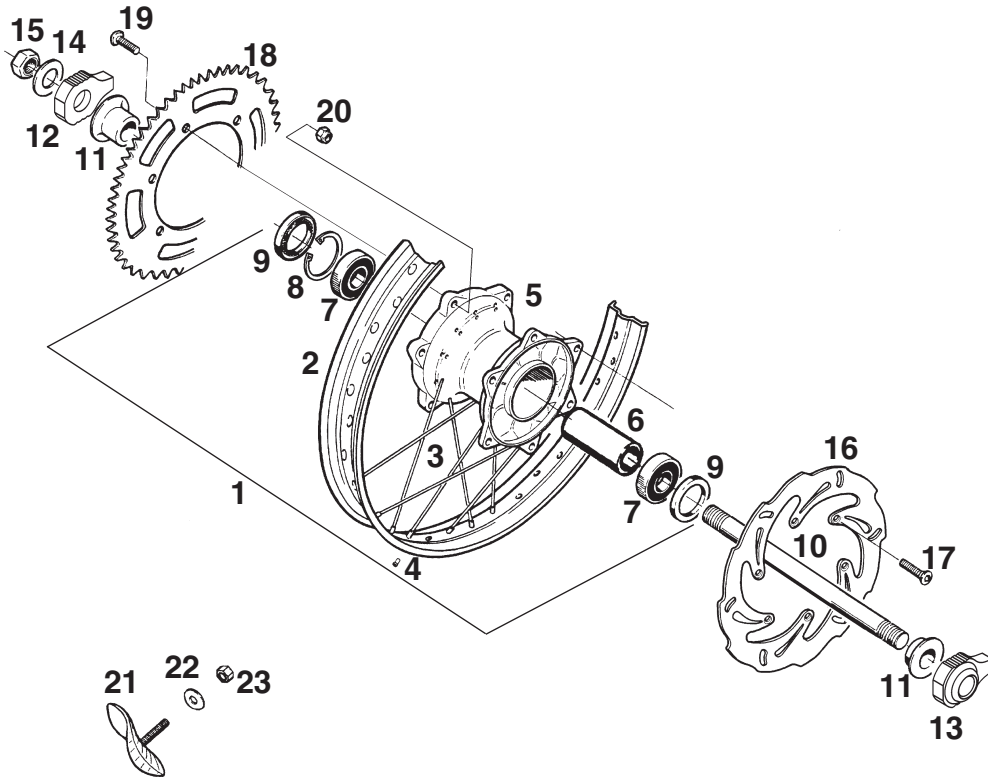
Pos.	Part No	Qty/Model						Description
		FEe	FSe	FSc	FC	FCe	FXe	
1	160 210-01	1	1	1	1	1	1	Seat 03-
1	160 193-03							Seat high 03-
2	160 211-01	1	1	1	1	1	1	Seat cover 03-
2	160 194-03							Seat cover high 03-
3	160 160-01	1	1	1	1	1	1	Foam cushion 00-
3	160 195-01							Foam cushion high 00-
4	160 186-01	1	1	1	1	1	1	Screw seat rear 00-
5	160 183-01	1	1	1	1	1	1	Bushing seat 00-
6	150 188-01	1	1	1	1	1	1	Airfilter protection 00-
7	160 166-02	1	1	1	1	1	1	Fuel tank yellow 01-
8	340 010-01	2	2	2	2	2	2	O-ring 10.3x2.4
9	160 004-01	2	2	2	2	2	2	Fuel tap 89-
10	160 010-01	8	8	8	8	8	8	Screw RXS 4.8x19
11	160 180-01	1	1	1	1	1	1	Screw, seat attachment front 00-
12	160 175-01	1	1	1	1	1	1	Filler cap 00-
13	160 190-01	1	1	1	1	1	1	Ventilation hose fuel tank 01-
14	160 013-01	1	1	1	1	1	1	Nipple fuel tank ventilation hose 01-
15	160 208-01	1	1	1	1	1	1	Spoiler RH 03-
16	160 209-01	1	1	1	1	1	1	Spoiler LH 03-
17	326 016-01	4	4	4	4	4	4	Washer 6x16x1
18	406 120-22	2	2	2	2	2	2	Screw (Collar) 6x20
19	160 177-01	2	2	2	2	2	2	Rubber bushing spoiler 00-
20	160 178-01	2	2	2	2	2	2	Bushing (metal) spoiler 00-
21	190 207-01	1	1	1	1	1	1	Spoiler decal kit (left+right) 03-
21	190 206-01	1	1	1	1	1	1	Rear fender decal kit (left+right) 03-
21	190 208-01	1	1	1	1	1	1	Fork protector decal kit (left+right) 03-
21	190 210-01	1	1	1	1	1	1	Hand guard decal kit (left+right) 03-
21	190 209-01	1	1	1	1	1	1	Displacement decal kit 400 (2 pcs) 03-
21	190 209-02	1	1	1	1	1	1	Displacement decal kit 450 (2 pcs) 03-
21	190 209-03	1	1	1	1	1	1	Displacement decal kit 501 (2 pcs) 03-
21	190 209-04	1	1	1	1	1	1	Displacement decal kit 550 (2 pcs) 03-
21	190 209-05	1	1	1	1	1	1	Displacement decal kit 650 (2 pcs) 03-
21	190 199-01	1	1	1	1	1	1	Decal kit complete 400-650 03-
22	160 012-02	1	1	1	1	1	1	Fuel hose left 150x7,5x12,5 00-
22	160 012-03	1	1	1	1	1	1	Fuel hose left 220x7,5x12,5 00-
23	160 038-01	4	4	4	4	4	4	Fuel hose clamp 12,6



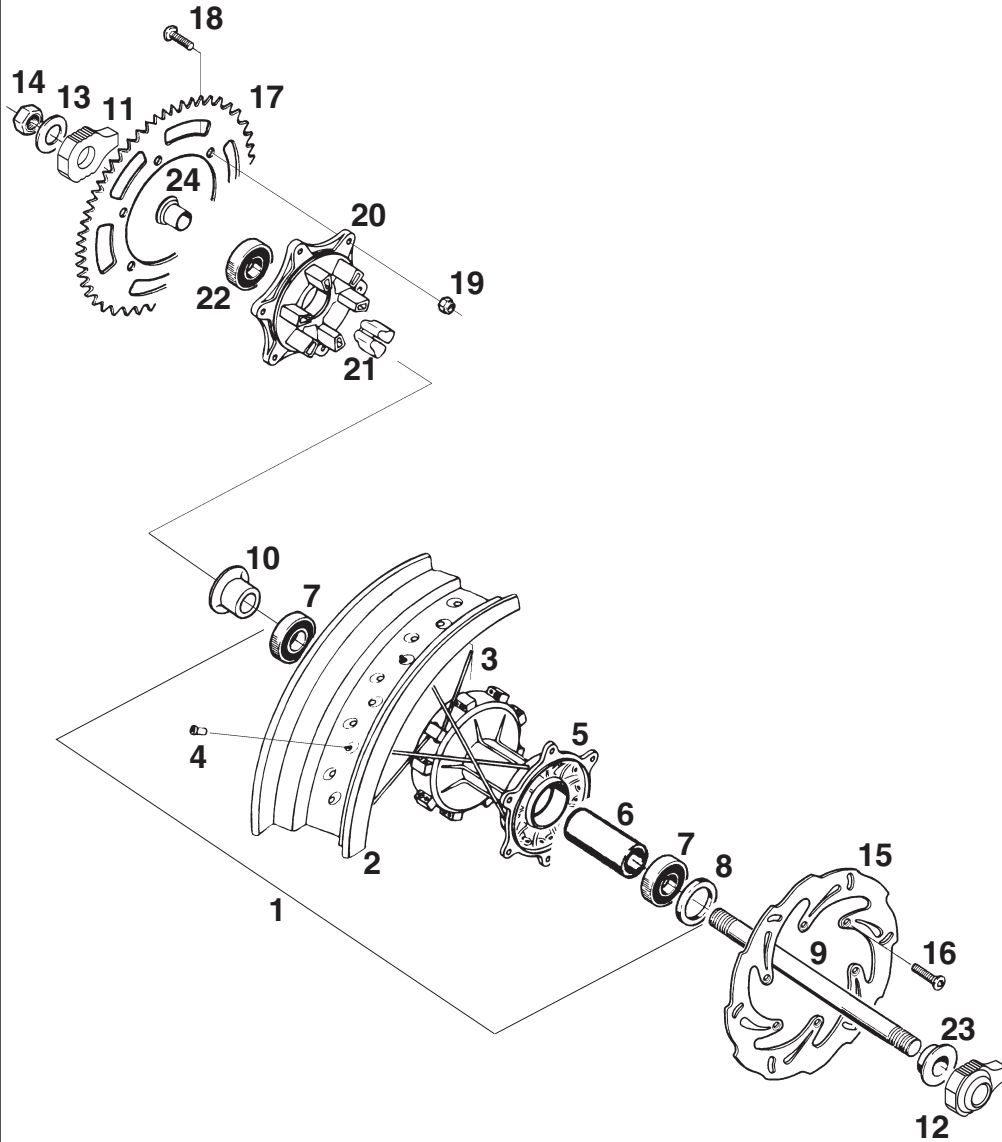
Pos.	Part No	Qty/Model							Description
		FEe	FSe	FSc	FC	FCe	FXe		
1	160 167-01	1	1	1	1	1	1	Rear fender/side panels 00-	
2	406 115-22	7	7	7	7	7	7	Screw (collar) 6x15	
3	160 050-01	7	7	9	9	9	9	Rubber washer 6,5x22x3	
4	160 170-01	1	1					Rear fender extension 00-	
5	405 216-22	2	2					Screw (collar) 5x16	
6	160 181-01	1	1	1	1	1	1	Splash shield (Upper) 00-	
7	160 125-01	1	1	1	1	1	1	Splash shield (Lower) 96-	
8	316 811-22	2	2	2	2	2	2	Locknut M6	
9	406 216-22	2	2	2	2	2	2	Screw (collar) 6x16	
10	160 139-01	2	2	2	2	2	2	Washer	
11	160 212-01	1	1					Headlight mask (yellow) 03-	
12	180 062-01	2	2					Rubber strap headlight mask 00-	
13	160 214-01	1						Fender brace (blue) 03-	
14	406 120-22	6	6	4	4	4	4	Screw (collar) 6x20	
15	160 156-01	1	1					Screw fender brace 00-	
16	160 157-01	1	1					Nut fender brace 00-	
17	160 204-01	1			1	1	1	Front fender FE/FC/FX (yellow) 03-	
17	160 205-01		1	1				Front fender FS (yellow) 03-	
18	160 182-01	4	4	4	4	4	4	Spacer front fender 00-	
19	130 172-01	1	1	1	1	1	1	Cable guide 00-	
20	160 213-01			1	1	1	1	Front number plate 03-	
21	406 230-22			1	1	1	1	Screw (collar) 6x30	



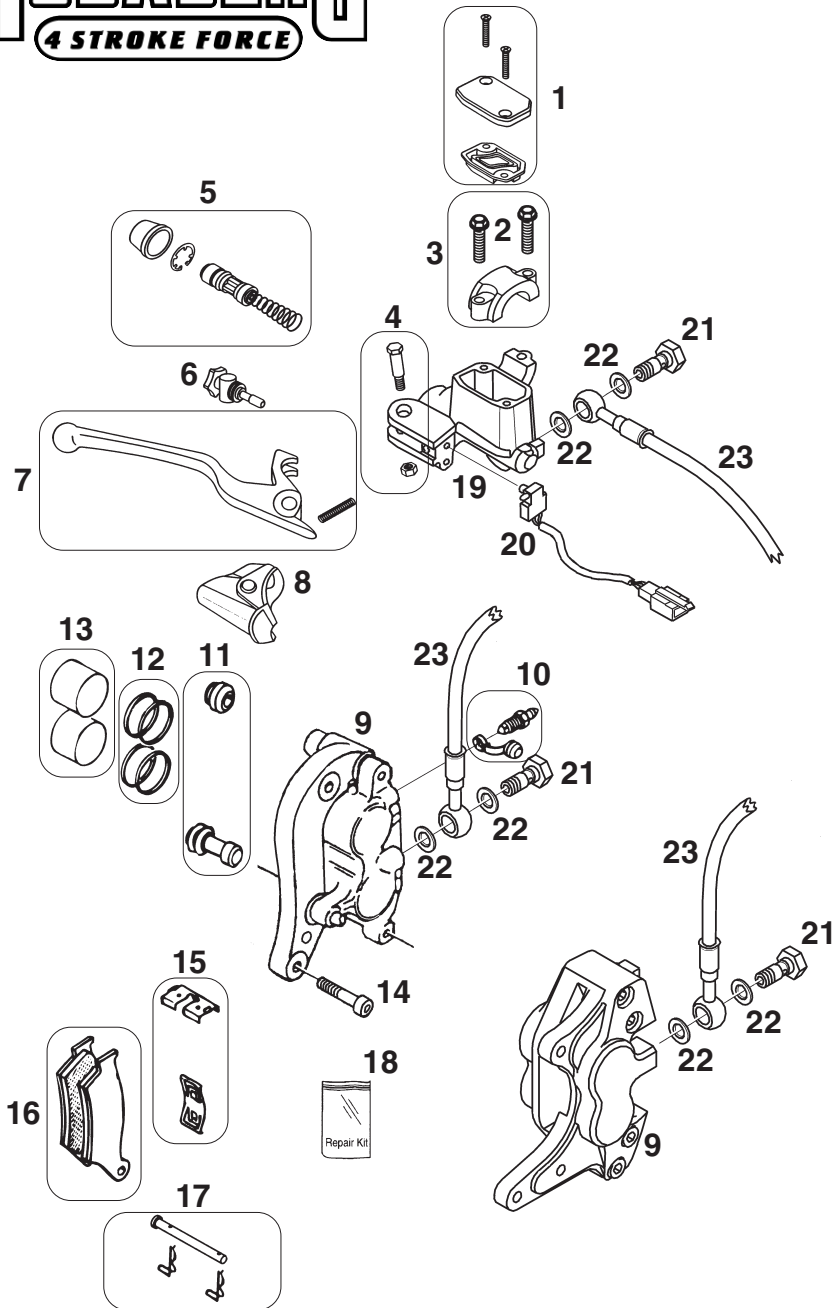
Pos.	Part No	Qty/Model						Description
		FEe	FSe	FSc	FC	FCe	FXe	
1	130 222-01	1			1	1	1	Wheel front cpl. EXCEL 21" FE/FC/FX 03- (Incl. Pos. No. 2, 3, 4, 5, 6, 7, 8, 9)
1	130 222-04		1	1				Wheel front cpl. BEHR 17" chrome FS 03- (Incl. Pos. No. 2, 3, 4, 5, 6, 7, 8, 9)
1	130 222-06							Wheel front cpl. BEHR 17" black FS 03- (Incl. Pos. No. 2, 3, 4, 5, 6, 7, 8, 9)
2	130 155-01	1			1	1	1	Rim front EXCEL 1.60x21" front 00-
2	130 181-01		1	1				Rim front BEHR 3.50x17" chrome 00-
2	130 223-01							Rim front BEHR 3.50x17" black 02-
3	130 160-01	36			36	36	36	Spoke 21" front M4,5x231-15G 00-
	130 177-01	1			1	1	1	Spoke kit 36 pcs (21") front 00-
3	130 182-01		36	36				Spoke 17" front M4,5x177-15G 00-
4	130 161-01	36	36	36	36	36	36	Spoke nipple (21"/17") front M4,5 00-
	130 178-01	1			1	1	1	Spoke nipple kit (21"/17") front 00-
5	130 210-01	1	1	1	1	1	1	Front hub 03-
6	130 211-01	1	1	1	1	1	1	Spacer fronthub 03-
7	360 042-01	2	2	2	2	2	2	Ballbearing fronthub 03-
8	330 038-01	1	1	1	1	1	1	Circlip 03-
9	350 016-01	2	2	2	2	2	2	Sealing front hub 03-
10	130 049-01	1			1	1	1	Rimlock 21" 89-
11	328 017-01	1			1	1	1	Washer 8,4x16x1,5
12	318 800-22	1			1	1	1	Nut M8
13	130 204-01	1	1	1	1	1	1	Front axle 03-
14	130 205-01	1	1	1	1	1	1	Plug frontaxle 03-
15	130 212-01	1	1	2	2	2	2	Spacer front axle 03-
16	130 206-01	1	1	1	1	1	1	Nut frontaxle 03-
17	140 199-01	1			1	1	1	Brake disc front ø260 mm FE/FC/FX 03-
17	140 182-01		1	1				Brake disc front ø310 mm FS 01-
18	406 212-22	6			6	6	6	Screw (Collar) 6x12
18	406 115-22		6	6				Screw (Collar) 6x15



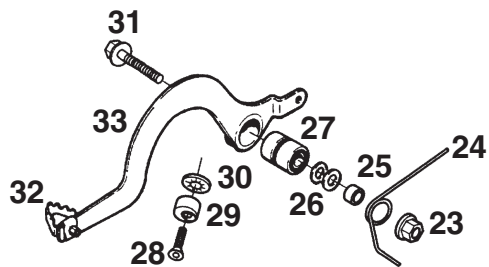
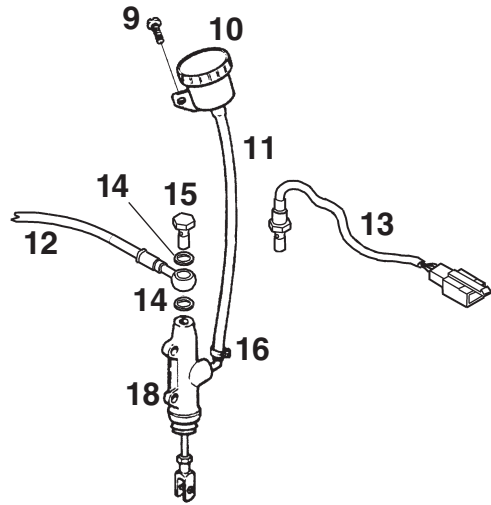
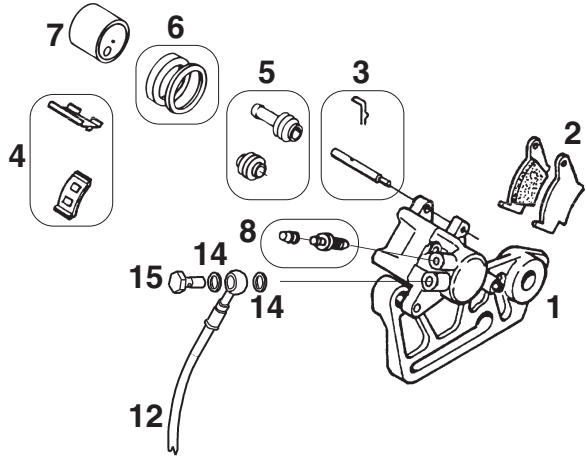
Pos.	Part No	Qty/Model						Description
		FEe	FSe	FSc	FC	FCe	FXe	
1	140103-02				1	1		Rear wheel EXCEL 19" 00- (Incl. Pos. No. 2, 3, 4, 5, 6, 7, 8, 9)
1	140030-05	1					1	Rear wheel EXCEL 18" 00- (Incl. Pos. No. 2, 3, 4, 5, 6, 7, 8, 9)
2	140130-01				1	1		Rim EXCEL 2.15x19" 00-
2	140131-01	1					1	Rim EXCEL 2.15x18" 00-
3	140136-01				36	36		Spoke (19") rear M5x210-10G 00-
	140150-01				1	1		Spoke kit 36 pcs (19") rear 00-
3	140135-01	36					36	Spoke (18") rear M5x197-10G 00-
	140149-01	1					1	Spoke kit 36 pcs (18") rear 00-
4	140137-01	36			36	36	36	Spoke nipple (17"/18"/19") rear M5 00-
	140151-01	1			1	1	1	Spoke nipple kit 36 pcs (17"/18"/19") rear 00-
5	140132-01	1			1	1	1	Rear hub (18"/19") 00-
6	140138-01	1			1	1	1	Spacer rear hub (18"/19") 00-
7	360032-01	2			2	2	2	Ball bearing rear hub00-
8	330038-01	1			1	1	1	Seal clip 00-
9	350010-01	2			2	2	2	Sealring 00-
10	140005-01	1			1	1	1	Rear axle 89-
11	140139-01	2			2	2	2	Spacer 01-
12	120145-01	1			1	1	1	Adjustment sledge right 01-
13	120146-01	1			1	1	1	Adjustment sledge left 01-
14	322036-01	1			1	1	1	Washer 01-
15	140039-01	1			1	1	1	Nut rear axle 01-
16	140133-01	1			1	1	1	Brake disc rear ø220 mm stainless 00-
17	406212-22	6			6	6	6	Screw 6x12
18	140142-38							Sprocket Z=38 rear 00-
18	140142-40							Sprocket Z=40 rear 00-
18	140142-42							Sprocket Z=42 rear 00-
18	140142-46							Sprocket Z=46 rear 00-
18	140142-48							Sprocket Z=48 rear 00-
18	140142-50							Sprocket Z=50 rear 00-
19	140141-01	6			6	6	6	Screw 8x26 00-
20	318801-22	6			6	6	6	Lock nut M8
21	140059-01	2			2	2	2	Rimlock rear 89-
22	328017-01	2			2	2	2	Washer 8,4x16x1,5
23	318800-22	2			2	2	2	Nut M8



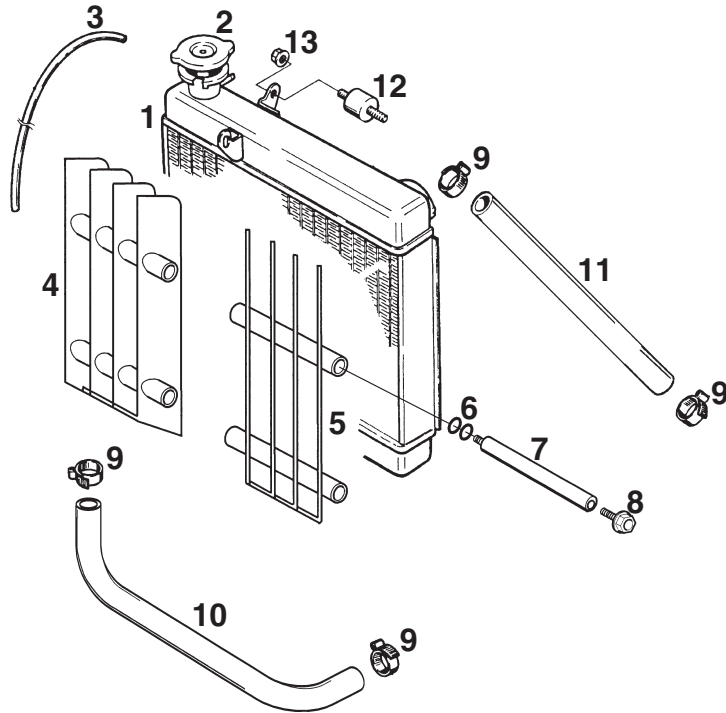
Pos.	Part No	Qty/Model						Description
		FEe	FSe	FSc	FC	FCe	FXe	
1	140 147-01	1	1					Rear wheel BEHR 17" chrome 00- (Incl. Pos. No. 2, 3, 4, 5, 6, 7, 8)
1	140 147-02	1	1					Rear wheel BEHR 17" black 00- (Incl. Pos. No. 2, 3, 4, 5, 6, 7, 8)
2	140 172-01	1	1					Rim BEHR 4.25x17" chrome 00-
2	140 204-01	1	1					Rim BEHR 4.25x17" black 00-
3	140 174-01	18	18					Spoke (17") rear right M5x199-16G 00-
3	140 175-01	18	18					Spoke (17") rear left M5x185-26G 00-
4	140 137-01	36	36					Spoke nipple (17") rear 00-
5	140 173-01	1	1					Rear hub (17") complete 00- (Incl. Pos. No. 6, 7, 8)
6	140 176-01	1	1					Spacer rear hub (17") 00-
7	0625 062052	2	2					Ball bearing rear hub (17") 00-
8	0760 325772	1	1					Sealring 00-
9	140 005-01	1	1					Rear axle 89-
10	140 177-01	1	1					Spacer right inner 00-
11	120 145-01	1	1					Adjustment sledge right 01-
12	120 146-01	1	1					Adjustment sledge left 01-
13	322 036-01	1	1					Washer 01-
14	140 039-01	1	1					Nut rear axle 01-
15	140 133-01	1	1					Brake disc rear stainless 00-
16	406 212-22	6	6					Screw 6x12
17	140 142-38							Sprocket Z=38 rear 00-
17	140 142-40							Sprocket Z=40 rear 00-
17	140 142-42							Sprocket Z=42 rear 00-
17	140 142-46							Sprocket Z=46 rear 00-
17	140 142-48							Sprocket Z=48 rear 00-
17	140 142-50							Sprocket Z=50 rear 00-
18	140 141-01	6	6					Screw 8x26 00-
19	318 801-22	6	6					Lock nut M8
20	140 148-01	1	1					Sprocket support plate 00-
21	140 156-01	6	6					Damping rubber 00-
22	0625 032057	1	1					Ball bearing sprocket support plate 00-
23	140 139-01	1	1					Spacer left 00-
24	140 203-01	1	1					Spacer right 01-



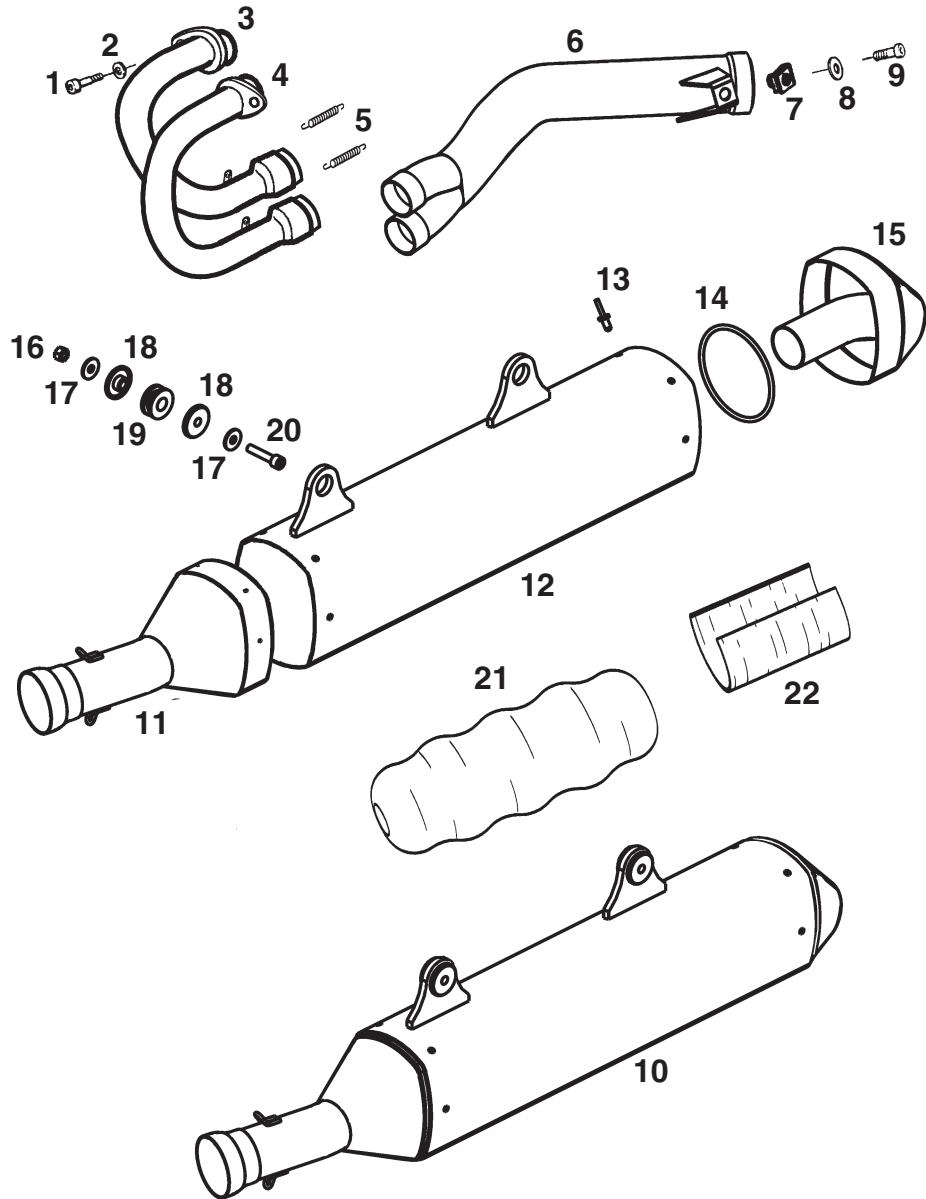
Pos.	Part No	Qty/Model						Description
		FEe	FSe	FSc	FC	FCe	FXe	
1	140 160-01	1	1	1	1	1	1	Screw, cover & gasket kit 00-
2	406 225-22	2	2	2	2	2	2	Screw (Collar) 6x25
3	140 159-01	1	1	1	1	1	1	Clamp frontbrake cylinder 00-
4	140 161-01	1	1	1	1	1	1	Screw & nut kit 00-
5	503.13.008.200			1	1	1	1	Repair kit piston FSc/FC/FCe/FXe 00-
5	140 165-01	1	1					Repair kit piston FEe/FSe 00-
6	140 163-01			1	1	1	1	Adjustment screw FSc/FC/FCe/FXe 00-
6	140 163-02	1	1					Adjustment screw FEe/FSe 00-
7	140 157-01	1	1	1	1	1	1	Frontbrake lever 00-
8	140 162-01	1	1	1	1	1	1	Frontbrake dust protection 00-
9	140 129-01				1	1	1	Frontbrake caliper BREMBO (incl.bracket) 00-
9	140 183-01		1	1				Frontbrake caliper BERINGER 01-
10	545.13.214.000	1			1	1	1	Air nipple & dust cover BREMBO 00-
11	546.13.218.000	1			1	1	1	Sliding sleeve kit BREMBO 00-
12	546.13.205.000	1			1	1	1	Repair kit ø 28 mm BREMBO 00-
13	546.13.206.000	1			1	1	1	Repair kit piston ø 28 mm BREMBO 00-
14	308 535-22	2			2	2	2	Screw MC6S 8x35
14	308 530-25		2	2				Screw MC6S 8x30
15	140 092-01	1			1	1	1	Brakepad locking device kit BREMBO 93-
16	140 076-01	1			1	1	1	Brake pads front BREMBO 93-
16	140 152-01	1			1	1	1	Brake pads front sinter BREMBO 00-
16	140 184-01		1	1				Brake pads front BERINGER 01-
17	130 110-01	1			1	1	1	Brake pad lock pin kit BREMBO 93-
18	140 191-01							Repair kit caliper BERINGER 01-
18	140 192-01							Repair kit brake disc BERINGER 01-
19	140 144-01			1	1	1	1	Frontbrake cylinder cpl. FSc/FC/FCe/FXe 00-
19	140 144-02	1	1					Frontbrake cylinder cpl. FEe/FSe 00-
20	140 166-01	1	1					Frontbrake light switch FEe/FSe 00-
21	140 015-01	2	2	2	2	2	2	Banjo bolt brake hose front 89-
22	140 016-01	4	4	4	4	4	4	Copper washer 10x14x1 89-
23	140 145-01	1						Hose frontbrake FE 1300mm 00-
23	140 200-01		1	1				Hose frontbrake FS 1300mm 00-
23	140 188-01				1	1	1	Hose frontbrake FC/FX 1235mm 00-



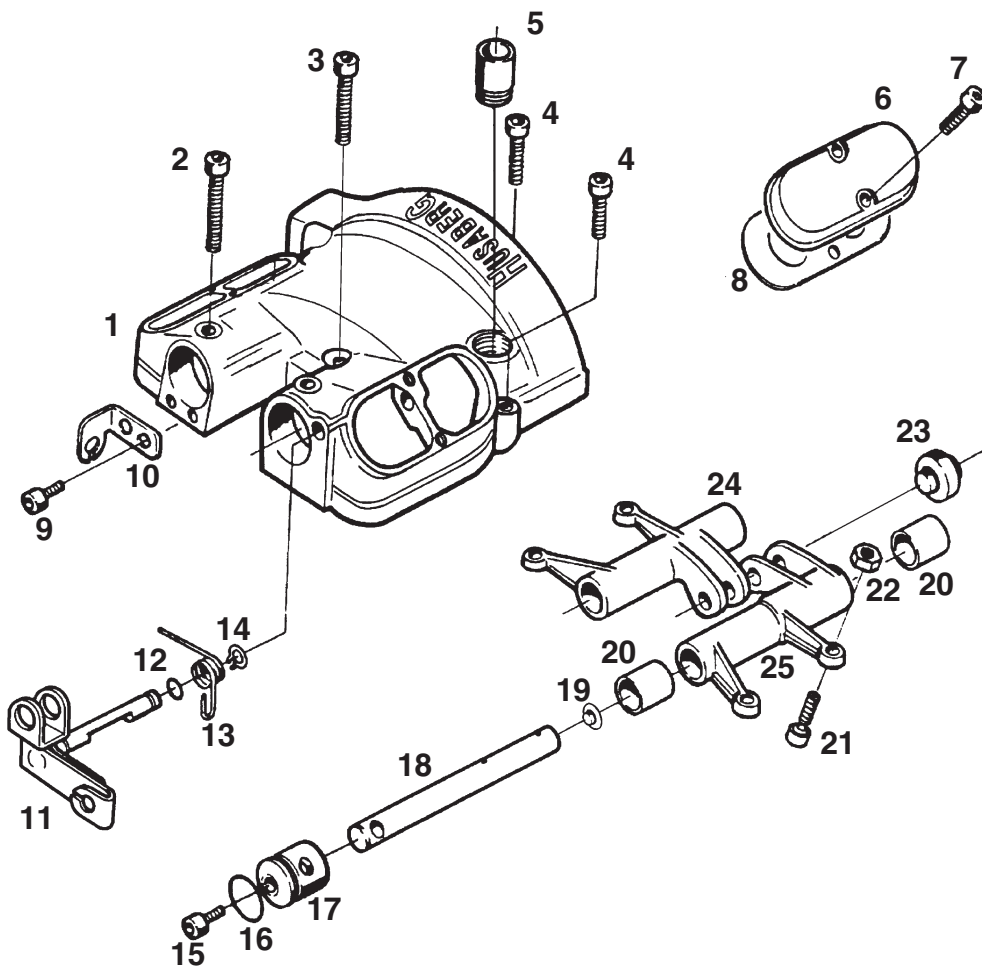
Pos.	Part No	Qty/Model						Description
		FEe	FSe	FSc	FC	FCe	FXe	
1	140 167-01	1	1	1	1	1	1	Rear brake caliper complete incl.bracket 01-
2	140 084-01	1	1	1	1	1	1	Brake pad rear sinter 95-
2	140 086-01	1	1	1	1	1	1	Brake pad rear organic
3	140 090-01	1	1	1	1	1	1	Brakepad lock pin kit 95-
4	140 093-01	1	1	1	1	1	1	Brakepad wear plates kit 95-
5	140 091-01	1	1	1	1	1	1	Sliding sleeve kit 95-
6	546.13.318.200	1	1	1	1	1	1	Seal repair kit 95-
7	546.13.305.200	1	1	1	1	1	1	Piston repair kit 95-
8	140 094-01	1	1	1	1	1	1	Air nipple & dust cover 95-
9	406 110-22	1	1	1	1	1	1	Screw (Collar) 6x10
10	140 028-01	1	1	1	1	1	1	Brakefluid reservoir 89-
11	140 029-01	1	1	1	1	1	1	Hose brakefluid reservoir FC 92- / FE 89-
12	140 190-01	1	1	1	1	1	1	Brakehose rear 02-
13	180 116-01	1	1					Brakelight switch (cable 0°) 99-
13	180 209-01	1	1					Brakelight switch (cable 90°) 03-
14	140 016-01	4	4	4	4	4	4	Copper washer 10x14x1 89-
15	140 015-01	1	1	2	2	2	2	Banjo bolt brake hose 89-
16	140 071-01	2	2	2	2	2	2	Clamp Orbitus 89-
18	140 022-01	1	1	1	1	1	1	Rear master cylinder 95-
19	545.13.150.000	1	1	1	1	1	1	Repair kit 95-
20	140 045-02	1	1	1	1	1	1	Rearbrake pushrod 00-
21	316 800-22	1	1	1	1	1	1	Nut M6 low
22	140 046-01	1	1	1	1	1	1	Attachment rearbrake pushrod 89-
23	318 801-22	6	6	6	6	6	6	Locknut M8 low
24	170 068-01	1	1	1	1	1	1	Return spring brakepedal 00-
25	140 153-01	1	1	1	1	1	1	Spacer return spring 00-
26	328 017-01	2	2	2	2	2	2	Washer 8,4x16x1,5
27	360 011-01	2	2	2	2	2	2	Ballbearing 89-
28	306 025-31	1	1	1	1	1	1	Screw excenter brakepedal 00-
29	140 143-01	1	1	1	1	1	1	Excenter brakepedal 00-
30	326 011-01	1	1	1	1	1	1	Locking washer
31	408 240-22	1	1	1	1	1	1	Screw (Collar) 8x40
32	140 019-01	1	1	1	1	1	1	Brake pedal tip 89-
33	140 017-02	1	1	1	1	1	1	Brake pedal complete 00- (Incl. Pos. No. 27, 32)



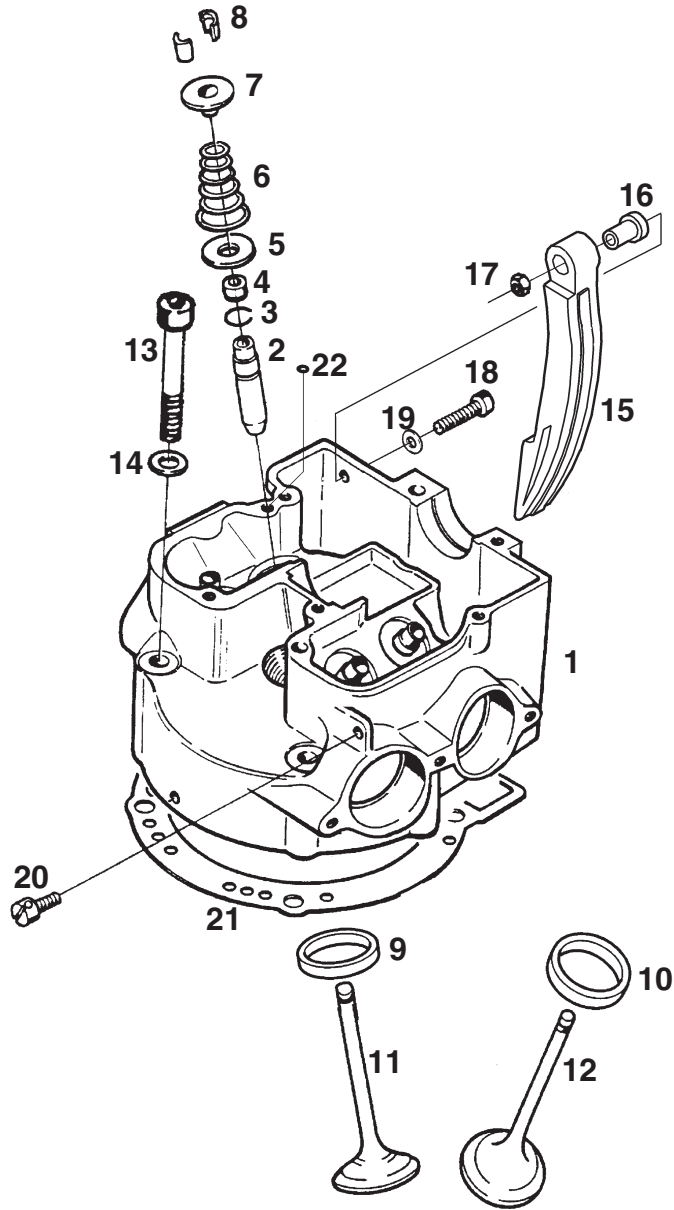
Pos.	Part No	Qty/Model						Description
		FEe	FSe	FSc	FC	FCe	FXe	
1	150169-01	1	1	1	1	1	1	Radiator 00-
2	150021-01	1	1	1	1	1	1	Radiator cap 1.4 89-
3	150024-01	1	1	1	1	1	1	Pressure relief hose 89-
4	160174-01	4	4	4	4	4	4	Radiator protection Right 00-
5	160173-01	4	4	4	4	4	4	Radiator protection Left 00-
6	340009-01	8	8	8	8	8	8	O-ring bracket pin radiator protection 00-
7	160179-01	4	4	4	4	4	4	Bracket pin radiator protection 00-
8	406110-22	2	2	2	2	2	2	Screw (Collar) 6x10
9	150243-01	4	4	4	4	4	4	Clamp radiatorhose 89-
10	150217-01	1	1	1	1	1	1	Radiator hose lower 01-
11	150218-02	1	1	1	1	1	1	Radiator hose upper 400/470 01-
11	150218-03	1	1	1	1	1	1	Radiator hose upper 501/550 01-
11	150218-04	1	1	1	1	1	1	Radiator hose upper 650 01-
12	150025-01	3	3	3	3	3	3	Vibration damper 25X15 89-
13	316801-22	3	3	3	3	3	3	Locknut M6 low



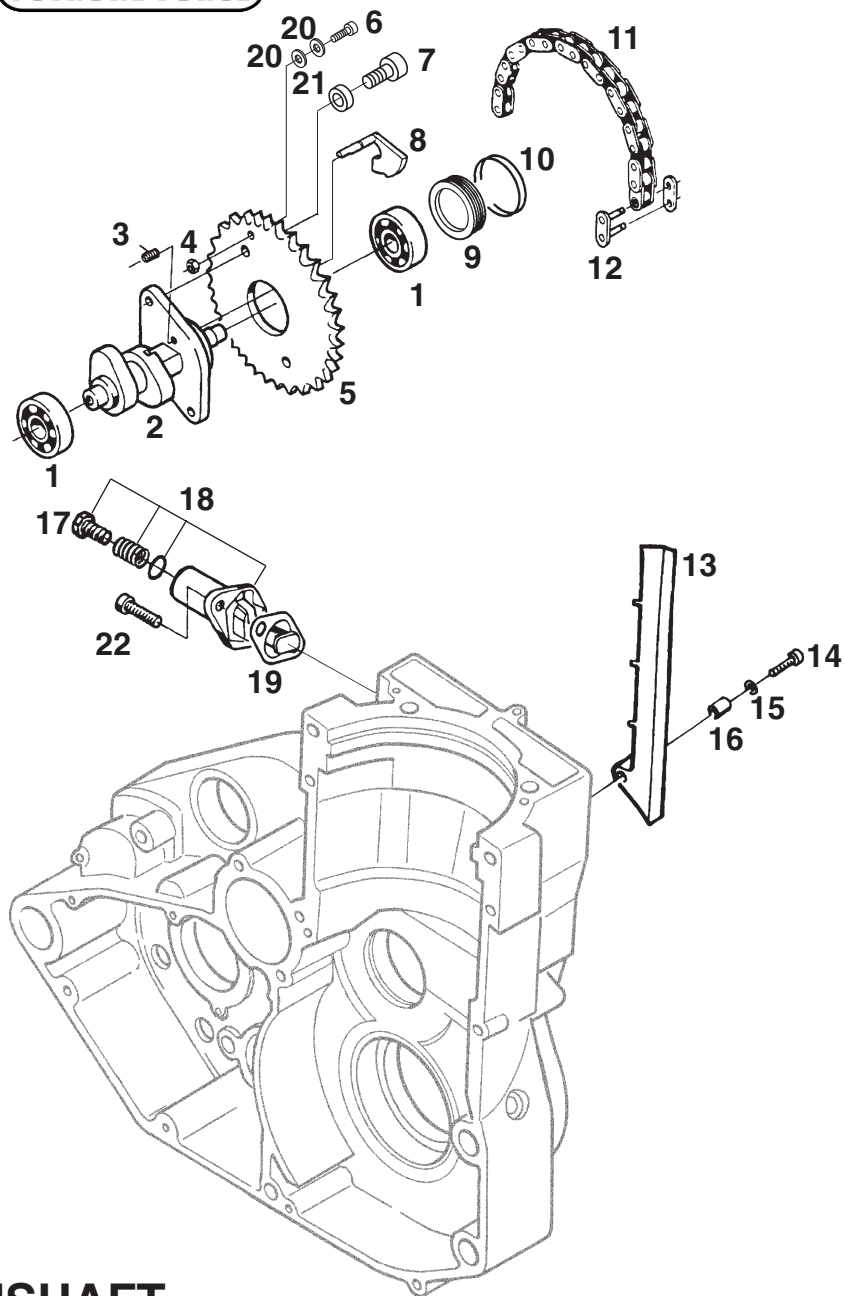
Pos.	Part No	Qty/Model						Description
		FEe	FSe	FSc	FC	FCe	FXe	
1	306 520-41	2	2	2	2	2	2	Screw MC6S 6x20
2	326 013-01	2	2	2	2	2	2	Washer 6,7x14x1,5
3	150 247-01	1	1	1				Exhaust pipe Right 400 02-
3	150 249-01				1	1	1	Exhaust pipe Right 470 02-
3	150 251-01	1			1	1		Exhaust pipe Right 501/550 02-
3	150 253-01	1	1	1			1	Exhaust pipe Right 650 02-
4	150 248-01	1	1	1				Exhaust pipe Left 400 02-
4	150 250-01				1	1	1	Exhaust pipe Left 470 02-
4	150 252-01	1			1	1		Exhaust pipe Left 501/550 02-
4	150 254-01	1	1	1			1	Exhaust pipe Left 650 02-
5	150 150-01	4	4	4	4	4	4	Spring exhaust system 01-
6	150 259-01	1	1	1	1	1	1	Collector tube 02-
7	150 235-01	1	1	1	1	1	1	Split nut M8
8	328 017-01	1	1	1	1	1	1	Washer 8,4x16x1,5
9	308 520-22	1	1	1	1	1	1	Screw MC6S 8x20
10	150 255-01	1	1				1	Silencer FEe/Fse non-restricted 02-
10	150 263-01	1	1					Silencer FEe/Fse ECE 03-
10	150 257-01			1	1	1		Silencer FSc/FC/FCe 02-
10	150 258-01	1	1				1	Silencer spark arrestor US 03-
11	150 266-01	1	1	1	1	1	1	Front part silencer 02-
12	150 262-01	1	1	1	1	1	1	Aluminium tube silencer 02-
13	370 004-01	12	12	12	12	12	12	Dummy rivet 4.8x8 stainless 02-
14	340 282-01	2	2	2	2	2	2	O-ring 82,14x3,53
15	150 264-01	1	1				1	Rear part silencer FEe/FSe 02-
15	150 265-01			1	1	1		Rear part silencer FSc/FC/FCe 02-
16	316 801-22	2	2	2	2	2	2	Locknut M6
17	326 018-01	4	4	4	4	4	4	Washer 6,4x18x1,5
18	150 272-01	4	4	4	4	4	4	Bushing 7,5x12x28x7,8
19	150 271-01	2	2	2	2	2	2	Rubber silencer 02-
20	306 530-22	2	2	2	2	2	2	Screw MC6S 6x30
21	150 267-01	1	1				1	Stuffing yam FEe/FSe 02-
21	150 269-01			1	1	1		Stuffing yam FSc/FC/FCe 02-
22	150 268-01	1	1				1	Stuffing yam rear FEe/FSe 02-



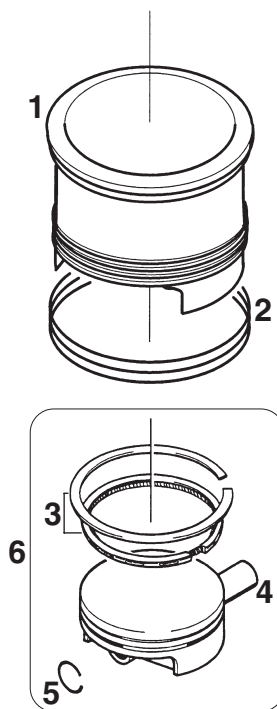
Pos.	Part No	Qty/Model						Description
		FEe	FSe	FSc	FC	FCe	FXe	
1	200 228-01	1	1	1	1	1	1	Rockerarm cover 01-
2	306 550-22	2	2	2	2	2	2	Screw MC6S 6x50
3	306 545-22	1	1	1	1	1	1	Screw MC6S 6x45
4	306 525-22	4	4	4	4	4	4	Screw MC6S 6x25
5	200 057-01	1	1	1	1	1	1	Crankcase ventilation sleeve 89-
6	200 026-01	2	2	2	2	2	2	Valve cover 89-
7	305 516-22	4	4	4	4	4	4	Screw M5x16
8	200 027-01	2	2	2	2	2	2	Gasket valve cover 89-
9	305 512-22	2	2	2	2	2	2	Screw MC6S 5x12
10	230 045-01	1	1	1	1	1	1	Decompression valve lifter bracket 89-
11	200 217-01	1	1	1	1	1	1	Decompression valve lifter 00-
12	340 005-01	1	1	1	1	1	1	O-ring 5,1x1,6
13	200 058-01	1	1	1	1	1	1	Decompression return spring 89-
14	330 008-01	1	1	1	1	1	1	Circlip SGA 8 89-
15	305 506-22	2	2	2	2	2	2	Screw MC6S 5x6
16	340 019-01	2	2	2	2	2	2	O-ring 19,1x1,6 95-
17	200 143-01	2	2	2	2	2	2	End plug rockerarm shaft ø 12/20 mm 96-
18	200 259-01	2	2	2	2	2	2	Rockerarm shaft ø 12 mm 96- (Incl. Pos. No. 19)
19	200 258-01	2	2	2	2	2	2	End plug rockerarm shaft ø 12 mm 01-
20	200 146-01	4	4	4	4	4	4	Bushing ø 12 mm 96-
21	200 171-01	4	4	4	4	4	4	Valve adjustment screw 96-
22	200 021-01	4	4	4	4	4	4	Valve adjustment locknut 89-
23	200 324-01	2	2	2	2	2	2	Rockerarm roller bearing 03-
24	200 330-01	1	1	1	1	1	1	Rockerarm intake complete 03- (Incl. Pos. No. 20, 21, 22, 23)
25	200 331-01	1	1	1	1	1	1	Rockerarm exhaust compl. 400 03- (Incl. Pos. No. 20, 21, 22, 23)
25	200 331-02	1	1	1	1	1	1	Rockerarm exhaust compl. 501/550/650 03- (Incl. Pos. No. 20, 21, 22, 23)



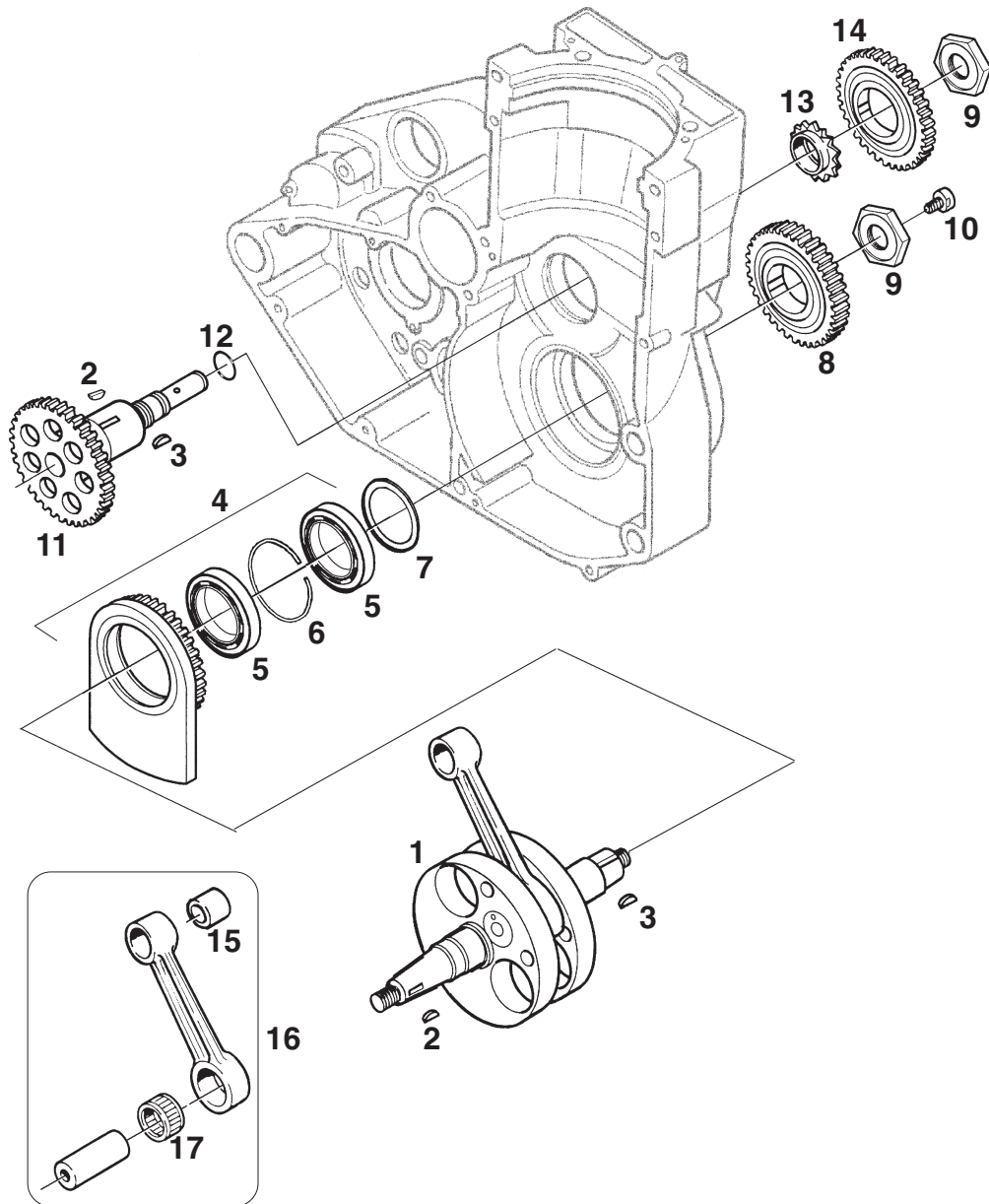
Pos.	Part No	Qty/Model						Description
		FEE	FSe	FSc	FC	FCe	FXe	
1	200278-01	1	1	1				Cylinderhead complete 400 01- (Incl. Pos. No. 2, 3, 9, 10, Page 27-1,27-5)
1	200 280-01	1	1	1	1		1	Cylinderhead complete 501/550/650 01- (Incl. Pos. No. 2, 3, 9, 10, Page 27-1,27-5)
2	200 214-01	4	4	4	4	4	4	Valve guide 00-
3	330001-01	4	4	4	4	4	4	Circlip SW 11 89-
4	200054-01	4	4	4	4	4	4	Seal valguide 89-
5	200195-01	4	4	4	4	4	4	Shim valve spring 99-
6	200210-01	4	4	4	4	4	4	Valve spring 99-
7	200194-01	4	4	4	4	4	4	Valve spring retainer 99-
8	200009-01	8	8	8	8	8	8	Valve spring cotters 89-
9	200211-01	2	2	2	2	2	2	Valve seat inlet 00-
10	200213-01	2	2	2				Valve seat 400 exhaust 00-
10	200 212-01	2	2	2	2	2	2	Valve seat exhaust 501/550/650 01-
11	200224-01	2	2	2				Intake valve 400 96-
11	200 225-01	2	2	2	2	2	2	Intake valve 501/550/650 01-
12	200 083-01	2	2	2				Exhaust valve 400 96-
12	200 008-01	2	2	2	2	2	2	Exhaust valve 501/550/650 01-
13	200262-01	4	4	4	4	4	4	Bolt cylinder head 01-
14	320018-01	4	4	4	4	4	4	Washer 10x18x2
15	200 329-01	1	1	1	1	1	1	Camchain tensioner 98-
16	200229-01	1	1	1	1	1	1	Dowl camchain tensioner 98-
17	315601-22	1	1	1	1	1	1	Locknut M5
18	305525-22	1	1	1	1	1	1	Screw MC6S 5x25
19	200268-01	1	1	1	1	1	1	Copper washer
20	230 044-01	1	1	1	1	1	1	Wireholder manual decompression wire 89-
21	200 231-01	1	1	1				Cylinderhead gasket 400 01-
21	200 232-01	1						Cylinderhead gasket 501 01-
21	200 233-01	1	1	1	1	1	1	Cylinderhead gasket 550/650 01-
22	340 004-01	1	1	1	1	1	1	O-ring 4x1 01-



Pos.	Part No	Qty/Model						Description
		FEe	FSe	FSc	FC	FCe	FXe	
1	360 000-01	2	2	2	2	2	2	Ballbearing 89-
2	200 342-01	1	1					Camshaft 400 cpl. (incl.pos. 8) 01-
2	200 342-53	1	1	1	1	1	1	Camshaft 550 cpl. (incl.pos. 8) 01-
2	200 342-55	1						Camshaft 501 cpl. (incl.pos. 8) 01-
2	200 342-08	1	1	1	1	1	1	Camshaft 650 cpl. (incl.pos. 8) 01-
3	200 295-01	1	1	1	1	1	1	Recoil spring aut. decompression 01-
4	315 601-22	1	1	1	1	1	1	Locknut M5
5	200 276-01	1	1	1	1	1	1	Timing sprocket 02-
6	305 510-41	1	1	1	1	1	1	Screw MC6S 5x10
7	308 512-21	2	2	2	2	2	2	Screw MC6LS 8x12
8	200 274-01	1	1	1	1	1	1	Aut. decompression device 400/501/550 01- (note, should be calibrated with camshaft)
8	200 306-01	1	1	1			1	Aut. decompression device 650 03- (note, should be calibrated with camshaft)
9	200 238-01	1	1	1	1	1	1	Plug camshaft 01-
10	340 029-01	2	2	2	2	2	2	O-ring 29,1x1,6
11	200 045-04	1	1	1	1	1	1	Timing chain 64 L 400/470 01-
11	200 045-05	1			1	1		Timing chain 66 L 501/550 01-
11	200 045-06	1	1	1			1	Timing chain 70 L 650 01-
12	200 309-01	1	1	1	1	1	1	Timing chain lock (riveted) IWIS 02-
13	200 284-01	1	1	1	1	1	1	Camchain guide 01-
14	306 516-22	1	1	1	1	1	1	Screw MC6S 6x16
15	326 012-01	1	1	1	1	1	1	Washer 6,4x12x1,5
16	200 267-01	1	1	1	1	1	1	Dowl camchain guide 01-
17	200 106-01	1	1	1	1	1	1	Screw camchain tensioner 98-
18	200 052-02	1	1	1	1	1	1	Camchain tensioner 03-
19	200 053-01	1	1	1	1	1	1	Gasket camchain tensioner 98-
20	325 010-01	2	2	2	2	2	2	Washer 5,3x10x1 02-
21	200 298-01	2	2	2	2	2	2	Spacer 13x8x2,5 02-
22	306 716-22	2	2	2	2	2	2	Screw K6S 6x16

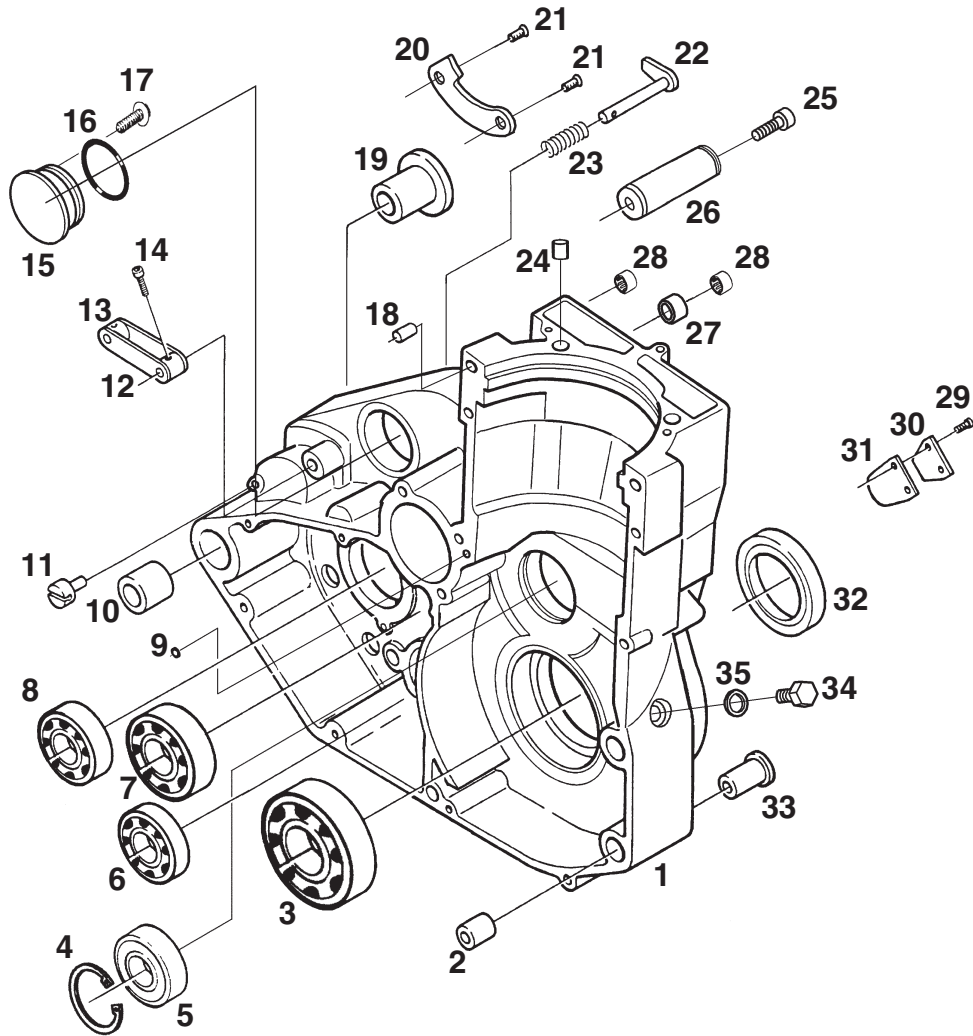


Pos.	Part No	Qty/Model						Description
		FEe	FSe	FSc	FC	FCe	FXe	
1	200 239-01	1	1	1				Cylinder 400 / ø92 mm 01-
1	200 240-01	1						Cylinder 501 / ø95 mm 01-
1	200 241-01				1			Cylinder 550 / ø100 mm 01-
1	200 242-01	1	1	1			1	Cylinder 650 / ø100 mm 01-
2	340 305-01	3	3	3	3	3	3	O-ring cylinder lining 01-
3	200 285-01	1	1	1				Piston ring kit 400 / ø92 mm 01-
3	200 286-01	1	1	1				Piston ring kit 501 / ø95 mm 01-
3	200 287-01	1	1	1	1	1	1	Piston ring kit 550 / 650 / ø100 mm 01-
4	200 249-01	1	1	1				Gudgeon pin 400 01-
4	200 253-01	1	1	1	1	1	1	Gudgeon pin 501 / 550 / 650 01-
5	200 250-01	2	2	2				Clips gudgeon pin 400 01-
5	200 254-01	2	2	2	2	2	2	Clips gudgeon pin 501 / 550 / 650 01-
6	200 244-01	1	1	1				Piston complete 400 / ø92 mm 01- (Incl. Pos. No. 3, 4, 5)
6	200 245-01	1						Piston complete 501 / ø95 mm 01- (Incl. Pos. No. 3, 4, 5)
6	200 246-01	1	1	1	1	1	1	Piston complete 550 / 650 / ø100 mm 01- (Incl. Pos. No. 3, 4, 5)

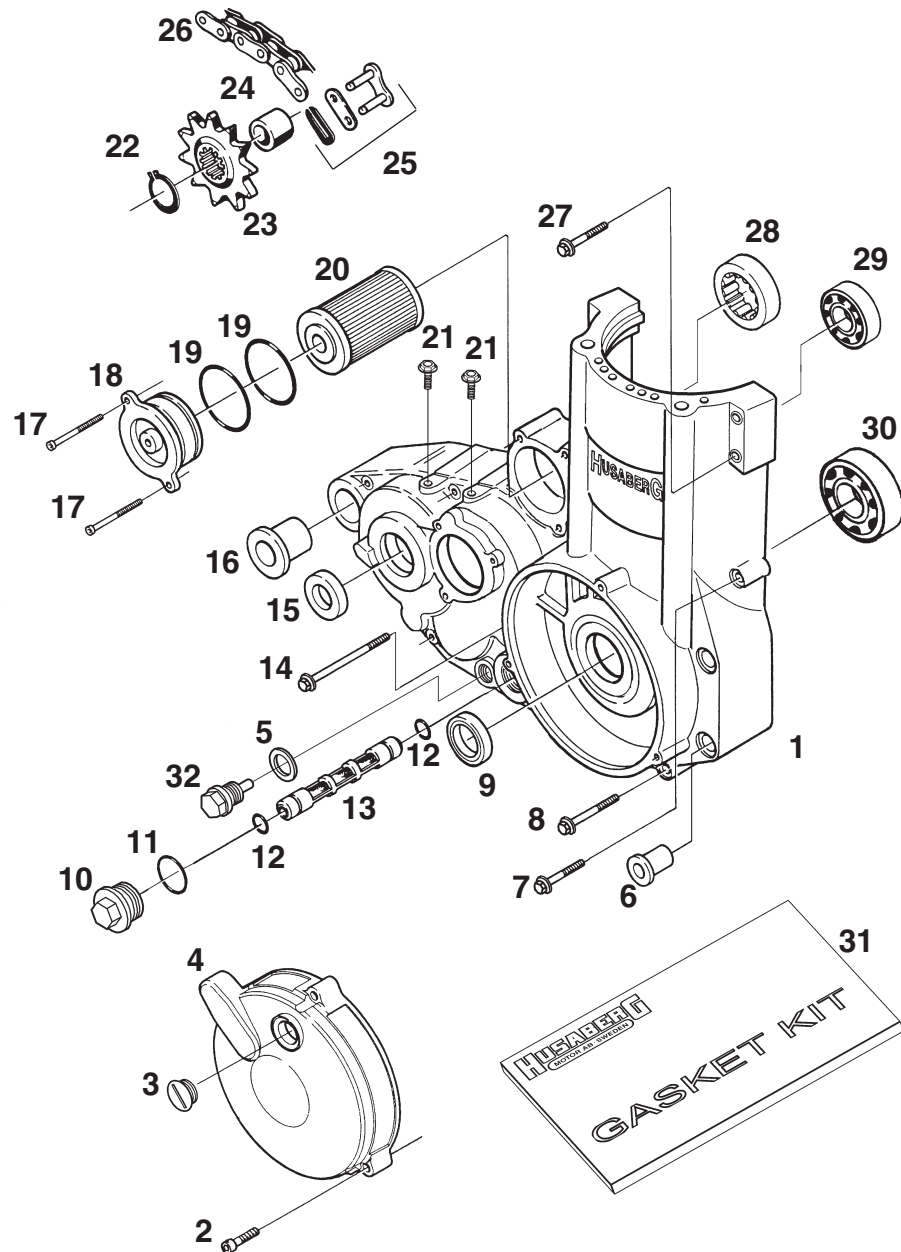


Pos.	Part No	Qty/Model						Description
		FEe	FSe	FSc	FC	FCe	FXe	
1	210 220-01	1	1	1				Crankshaft 400 03-
1	210 227-01	1						Crankshaft 501 / 550 03-
1	210 233-01	1	1	1			1	Crankshaft 650 03-
2	250 004-01	2	2	2	2	2	2	Woodruff key 3x13
3	210 173-01	2	2	2	2	2	2	Woodruff key
4	210 253-01	1	1	1				Counter balancer double bearing 400 02-
4	210 243-01	1	1	1	1	1	1	Counter bal.double bear. 501/550/650 02-
5	210 244-01	2	2	2	2	2	2	Ball bearing doub.bear.count.balancer 02-
6	210 245-01	1	1	1	1	1	1	Circlip double bearing counter balancer 02-
7	210 246-01	1	1	1	1	1	1	Shim doub.bear.count.balancer 0,2mm 02-
8	230 145-01	1	1	1	1	1	1	Gear wheel crankshaft 02-
9	230 132-01	2	2	2	2	2	2	Nut crankshaft & driving shaft 01-
10	210 259-01	1	1	1	1	1	1	Oil connection nipple 03-
11	210 204-01	1	1	1	1	1	1	Driving shaft counter balancer 02-
12	340 040-01	1	1	1	1	1	1	O-ring 10x1,3
13	200 277-01	1	1	1	1	1	1	Crankshaft sprocket 02-
14	230 146-01	1	1	1	1	1	1	Gear wheel driving shaft 02-
15	210 174-01	1	1	1				Bushing conrod 400 ø18 mm 01-
15	210 175-01	1	1	1	1	1	1	Bush.conrod 501 / 550 / 650 ø20mm 01-
16	210 188-01	1	1	1				Connecting rod kit 400 01-
16	210 190-01	1						Connecting rod kit 501 / 550 03-
16	210 192-02	1	1	1			1	Connecting rod kit 650 03-
17	210 152-01	1	1	1	1	1	1	Connecting rod bearing 01-

CRANKSHAFT

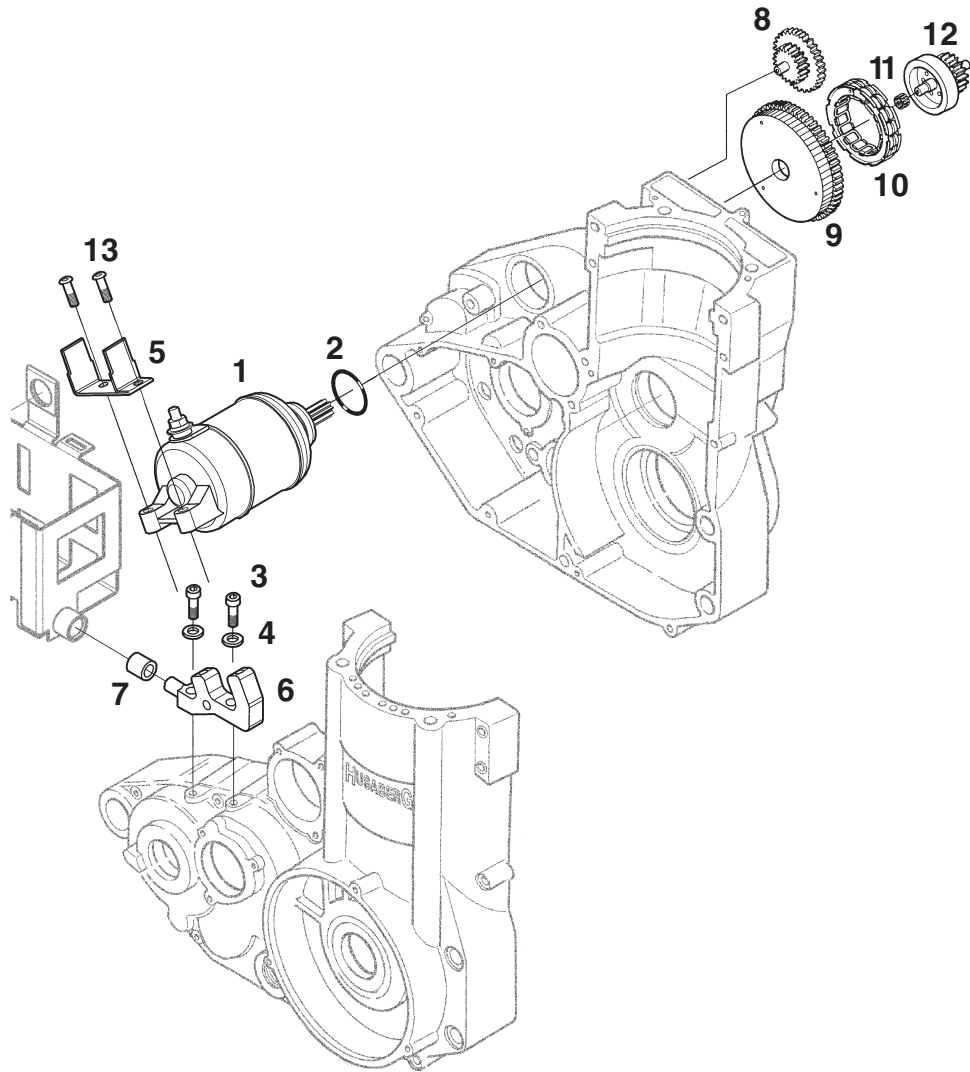


Pos.	Part No	Qty/Model						Description
		FEe	FSe	FSc	FC	FCe	FXe	
1	220 094-04	1	1	1	1	1	1	Crankcase complete 400 03- (crankcases incl. pos. 2-8, 10, 18-21, 25-33, page 33 pos. 6, 9, 15-16, 28-30, page 35 pos. 1-5)
1	220 094-05	1			1			Crankcase complete 501 / 550 03-
1	220 094-06	1	1	1			1	Crankcase complete 650 03-
2	220 011-01	1	1	1	1	1	1	Dowl crankcase front 89-
3	360 040-01	1	1	1	1	1	1	Bearing crankshaft NJ206 ET2XCS46 03-
4	330 042-01	1	1	1	1	1	1	Circlip 42x1,8
5	360 036-01	1	1	1	1	1	1	Ball bearing counter balancer driving shaft
6	360 026-01	1	1	1	1	1	1	Ball bearing shift drum
7	360 004-01	1	1	1	1	1	1	Ball bearing main gearshaft
8	360 002-01	1	1	1	1	1	1	Ball bearing secondary shaft
9	340 004-01	1	1	1	1	1	1	O-ring 4x1
10	220 012-01	1	1	1	1	1	1	Dowl crankcase rear 89-
11	230 044-01	1	1	1	1	1	1	Holder decompression wire lower 89-
12	230 054-01	1	1	1	1	1	1	Decompression lever 89-
13	230 065-01	1	1	1	1	1	1	Nipple decompression wire 89-
14	305 510-22	1	1	1	1	1	1	Screw MC6S 5x10
15	220 078-01			1	1			Plug electrical starter engine
16	340 024-01			1	1			O-ring 24,2x3
17	406 110-22			1	1			Screw (Collar) 6x10
18	220 022-01	2	2	2	2	2	2	Dowl crankcase cylinder lining 01-
19	220 007-01	2	2	2	2	2	2	Flange bushing rear 89-
20	230 158-01	1	1	1	1	1	1	Engagement sledge 03-
21	305 410-12	2	2	2	2	2	2	Screw MFX 5x10
22	230 050-01	1	1	1	1	1	1	Decompression lever kickstarter 89-
23	230 037-01	1	1	1	1	1	1	Recoil spring decomp. lever kickstarter 89-
24	200 263-01	2	2	2	2	2	2	Dowl crankcase cylinder head 01-
25	306 540-22	1	1	1	1	1	1	Screw MC6S 6x40
26	220 092-01	1	1	1	1	1	1	Shaft intermediate gear wheel 03-
27	220 098-01	1	1	1	1	1	1	Bearing support bushing 03-
28	360 034-01	2	2	2	2	2	2	Needle bearing 01-
29	304 306-12	2	2	2	2	2	2	Screw MSCS 4x6
30	220 020-01	1	1	1	1	1	1	Reed valve support 89-
31	220 013-01	1	1	1	1	1	1	Reed valve 89-
32	350 003-01	1	1	1	1	1	1	Seal ring
33	220 006-01	2	2	2	2	2	2	Flange bushing front 89-
34	308 910-22	1	1	1	1	1	1	Screw MLC6S 8x10 03-
35	328 001-01	1	1	1	1	1	1	Washer CU 8x14 03-

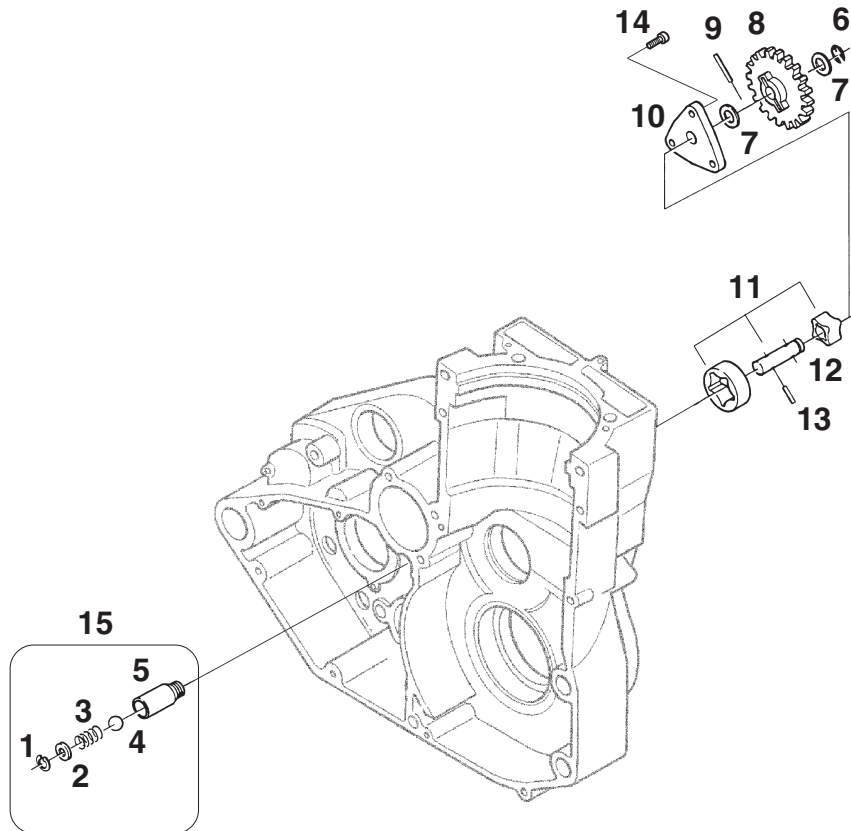


CRANKCASE RIGHT

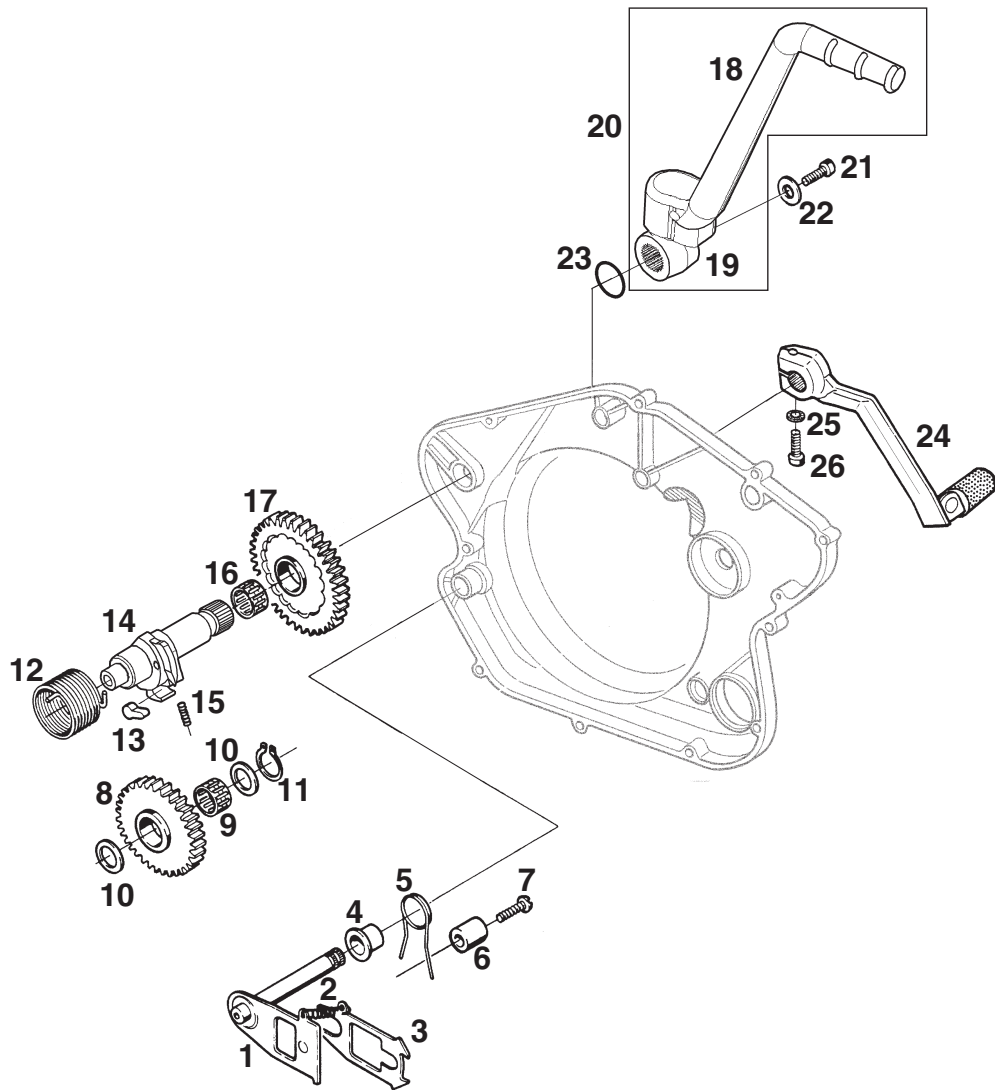
Pos.	Part No	Qty/Model						Description
		FEe	FSe	FSc	FC	FCe	FXe	
1								Crankcase complete set Right + Left halves (See previous page)
2	306 625-22	3	3	3	3	3	3	Screw MC6S 6x25
3	250 204-01	1	1	1	1	1	1	Inspection plug ignition cover 99-
4	220 060-01	1	1	1	1	1	1	Ignition cover 99-
5	220 100-01	1	1	1	1	1	1	Washer CU 12x18x1,5 03-
6	220 006-01	2	2	2	2	2	2	Flange bushing front 89-
7	406 240-22	1	1	1	1	1	1	Screw 6x40
8	406 250-22	6	6	6	6	6	6	Screw 6x50
9	350 008-01	1	1	1	1	1	1	Seal ring 25x40x7 99-
10	220 099-01	1	1	1	1	1	1	Oil drain plug 03-
11	340 038-01	1	1	1	1	1	1	O-ring 17,17x1.78 03-
12	340 011-01	2	2	2	2	2	2	O-ring 12,5x1,5 03-
13	260 083-01	1	1	1	1	1	1	Oil screen 03-
14	406 265-22	3	3	3	3	3	3	Screw 6x65
15	350 006-01	1	1	1	1	1	1	Seal ring 30x42x7 94-
16	220 007-01	1	1	1	1	1	1	Flange bushing rear 89-
17	405 250-22	2	2	2	2	2	2	Screw 5x50
18	220 050-01	1	1	1	1	1	1	Cover oil filter 97-
19	340 073-01	2	2	2	2	2	2	O-ring 38x2 97-
20	260 060-01	1	1	1	1	1	1	Oilfilter (outlet part) 97-
21	406 212-22	2	2	2	2	2	2	Screw 6x12
22	330 025-01	1	1	1	1	1	1	Circlip SGA 25 94-
23	260 001-03							Sprocket Z=13 89-
23	260 001-04							Sprocket Z=14 89-
23	260 001-05							Sprocket Z=15 89-
23	260 001-06							Sprocket Z=16 89-
24	240 046-01	1	1	1	1	1	1	Spacer sprocket 94-
25	190 001-01	1	1	1	1	1	1	Master link 89-
26	190 002-02							Drive chain 112 L 89-
26	190 002-03							Drive chain 114 L 89-
26	190 002-04							Drive chain 116 L 89-
27	406 245-22	4	4	4	4	4	4	Screw 6x45
28	360 017-01	1	1	1	1	1	1	Roller bearing secondary shaft
29	360 002-01	1	1	1	1	1	1	Ball bearing main gearshaft
30	360 040-01	1	1	1	1	1	1	Bearing crankshaft NJ206 ET2XCS46 03-
31	260 079-01	1	1	1				Gasket kit complete 400 01-
31	260 081-01	1	1	1	1	1	1	Gasket kit complete 550/650 01-
31	260 080-01	1						Gasket kit complete 501 01-
32	220 091-01	1	1	1	1	1	1	Magnetic oil plug 03-



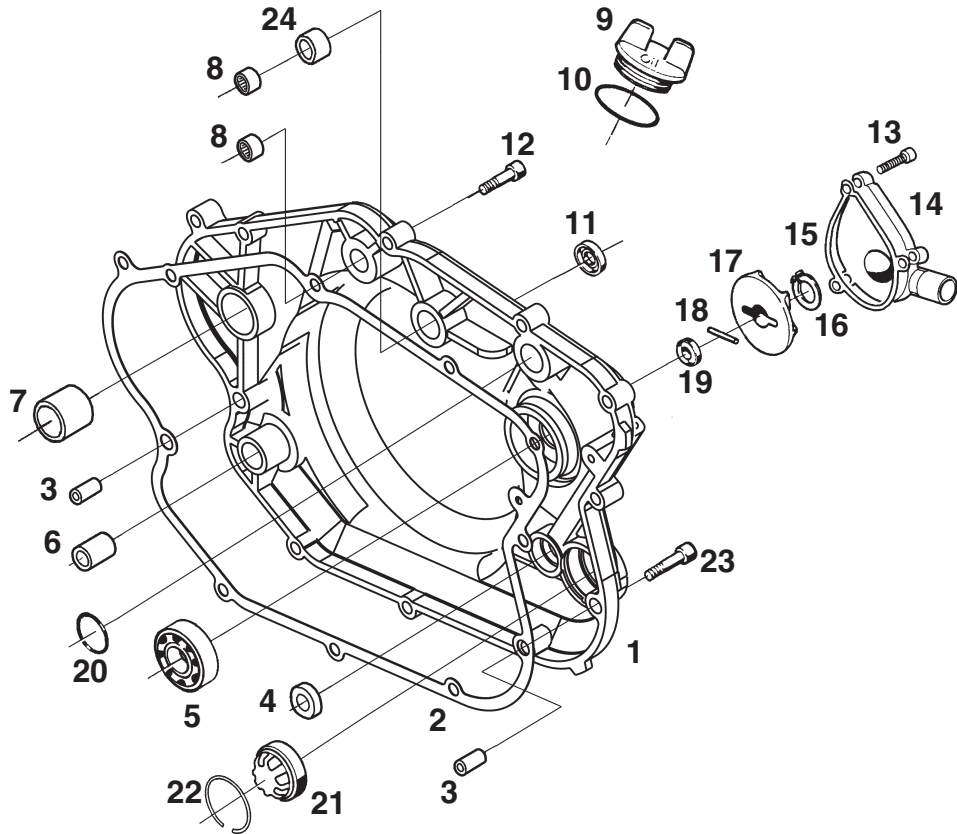
Pos.	Part No	Qty/Model						Description
		FEe	FSe	FSc	FC	FCe	FXe	
1	250 249-01	1	1			1	1	Electrical starter motor 01-
2	340 024-01	1	1			1	1	O-ring 24,2x3
3	306 525-22	2	2			2	2	Screw MC6S 6x25
4	326 012-01	2	2			2	2	Washer 6,4x12,1,5
5	250 314-01	1	1			1	1	Bracket electrical starter relay 03-
6	250 292-01	1	1			1	1	Bracket electrical starter engine 02-
7	150 147-02	1	1			1	1	Rubber damper battery box 01-
8	250 283-01	1	1			1	1	Gear wheel slip clutch electric start 01-
9	250 247-01	1	1			1	1	Free wheel outer part 01-
10	250 245-01	1	1			1	1	Clutch mechanism free wheel 01-
11	360 035-01	1	1			1	1	Needle bearing free wheel 01-
12	250 273-01	1	1			1	1	Free wheel inner part 02-
13	306 925-22	2	2			2	2	Screw MLC6S 6x25 03-



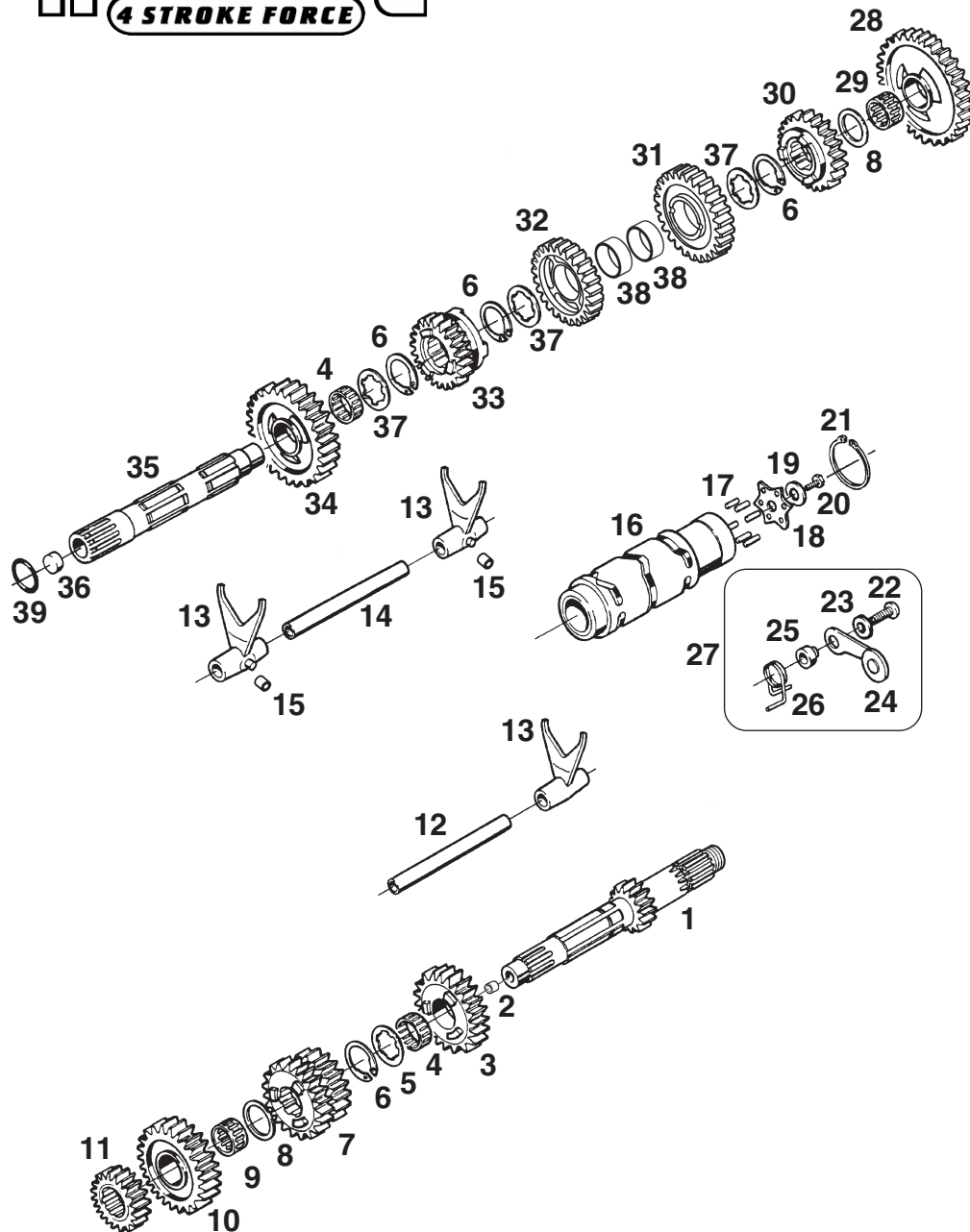
Pos.	Part No	Qty/Model						Description
		FEe	FSe	FSc	FC	FCe	FXe	
1	330015-01	1	1	1	1	1	1	Circlip sgH15
2	260 037-01	1	1	1	1	1	1	Washer oil pressure relief 95-
3	260 038-01	1	1	1	1	1	1	Spring oil pressure relief 95-
4	360 024-01	1	1	1	1	1	1	Ball oil pressure relief 95-
5	260 036-01	1	1	1	1	1	1	Body oil pressure relief valve 95-
6	260 057-01	1	1	1	1	1	1	Circlip oil pump 97-
7	260056-01	2	2	2	2	2	2	Washer 97-
8	260 055-01	1	1	1	1	1	1	Intermediate gear wheel oil pump 97-
9	370 006-01	1	1	1	1	1	1	Pin oil pump 2.5x20 97-
10	260 053-01	1	1	1	1	1	1	Cover oil pump 97-
11	260 061-01	1	1	1	1	1	1	Rotor kit oil pump 97-
12	260 054-01	1	1	1	1	1	1	Shaft oil pump 97-
13	370 005-01	1	1	1	1	1	1	Pin oil pump 2.5x11.7 97-
14	304 912-22	3	3	3	3	3	3	Screw MLC6S 4x12
15	260 082-01	1	1	1	1	1	1	Oil pressure relief valve compl. 95-



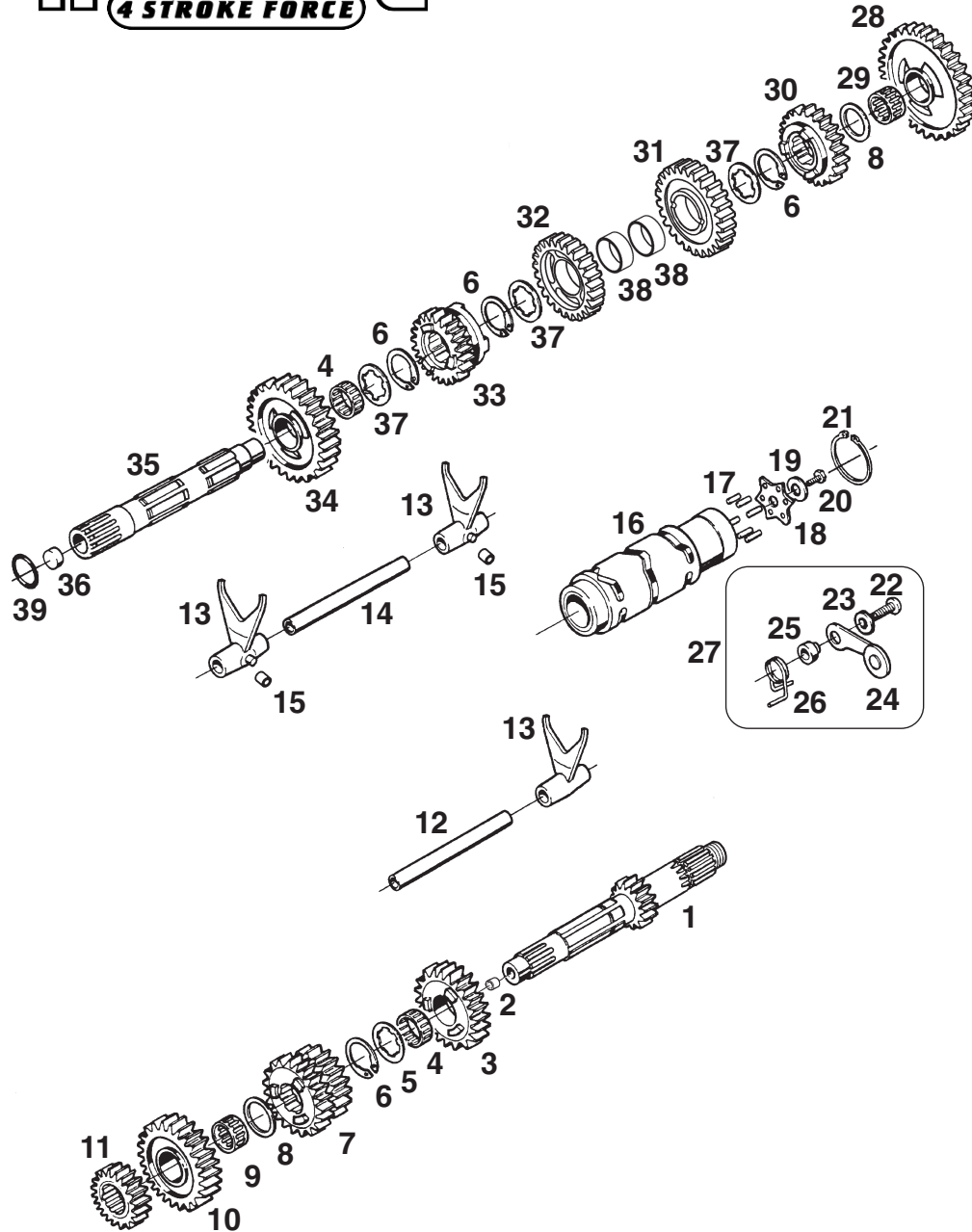
Pos.	Part No	Qty/Model						Description
		FEe	FSe	FSc	FC	FCe	FXe	
1	230 171-01	1	1	1	1	1	1	Gearshift linkage shaft 03-
2	230 031-01	1	1	1	1	1	1	Spring gearshift mechanism 89-
3	230 081-01	1	1	1	1	1	1	Gearshift selector 89-
4	230 059-01	1	1	1	1	1	1	Spacer gearshift shaft 89-
5	230 032-01	1	1	1	1	1	1	Recoil spring gearshift mechanism 89-
6	220 022-01	1	1	1	1	1	1	Dowel 89-
7	306 020-62	1	1	1	1	1	1	Screw K6S 6x20
8	230 015-01	1	1	1	1	1	1	Intermediate gear wheel 89-
9	360 006-01	1	1	1	1	1	1	Needle roller bearing 17x21x10 89-
10	230 042-01	2	2	2	2	2	2	Support washer intermediate gear wheel 89-
11	330 017-01	1	1	1	1	1	1	Circlip SGA 17
12	230 019-01	1	1	1	1	1	1	Kickstart spring 89-
13	230 018-01	1	1	1	1	1	1	Engagement key kickstart 89-
14	230 156-01	1	1	1	1	1	1	Kickstart shaft 03-
15	230 056-01	1	1	1	1	1	1	Spring kickstart engagement key 89-
16	360 018-01	1	1	1	1	1	1	Needle roller bearing 18x22x10 89-
17	230 096-01	1	1	1	1	1	1	Gear wheel kickstart 89-
18	230 173-01	1	1	1	1	1	1	Kickstart lever 03-
19	230 172-01	1	1	1	1	1	1	Shaft pivot kickstart lever 03-
20	230 155-01	1	1	1	1	1	1	Kickstart lever complete 03-
21	306 520-22	1	1	1	1	1	1	Screw MC6S 6x20
22	326 023-01	1	1	1	1	1	1	Washer 6,4x22x4
23	340 220-01	1	1	1	1	1	1	O-ring 17,04x3,53 02-
24	230 034-02	1	1	1	1	1	1	Gearshift lever 89-
25	326 011-01	1	1	1	1	1	1	Washer 6,4x11x0,7
26	406 225-22	1	1	1	1	1	1	Screw (Collar) 6x25



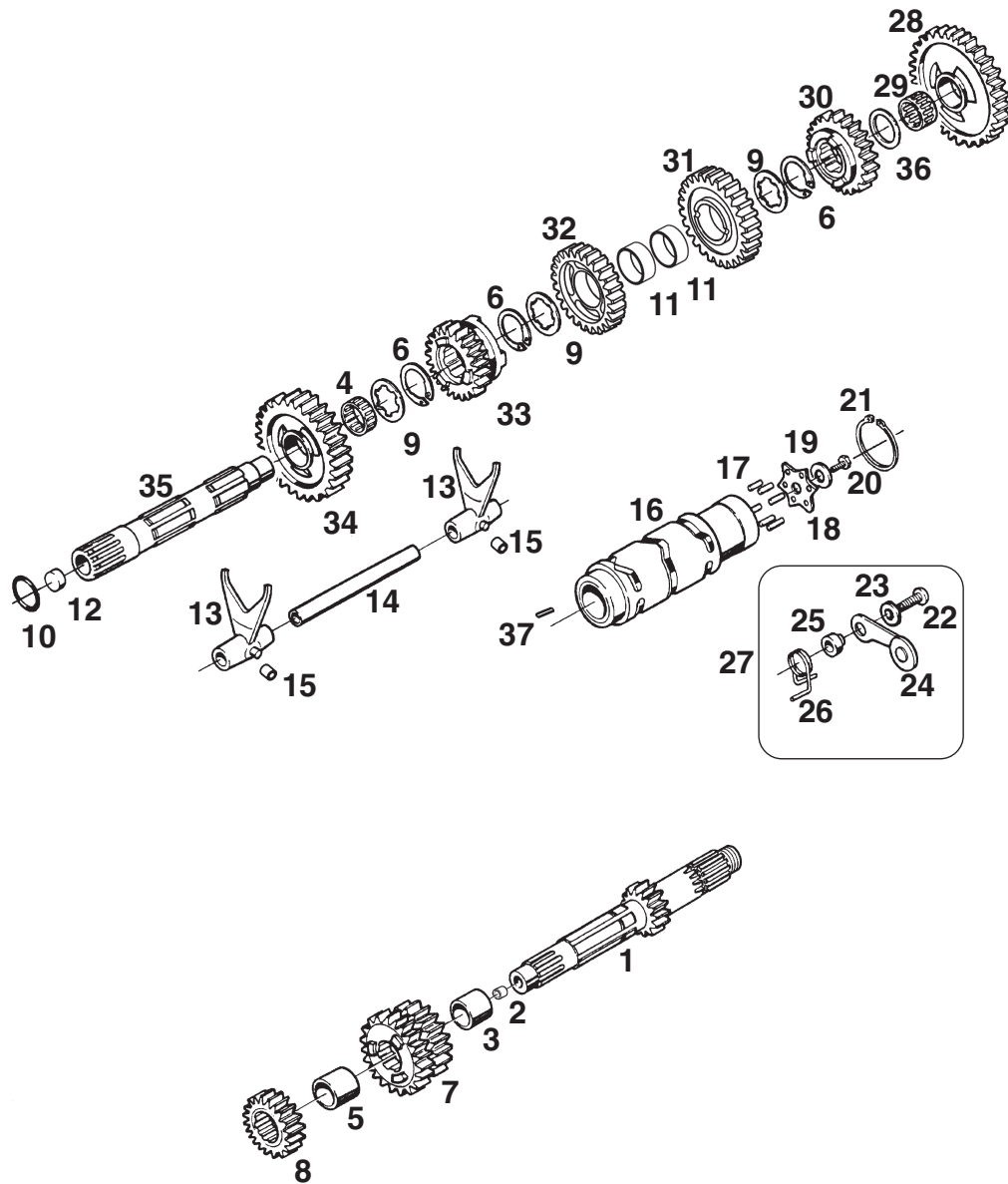
Pos.	Part No	Qty/Model						Description
		FEe	FSe	FSc	FC	FCe	FXe	
1	220 095-02	1	1	1	1	1	1	Transmission cover 03- (incl. pos. no. 3-8, 11, 19, 21-22, 24)
2	220 093-01	1	1	1	1	1	1	Gasket transmission cover 03-
3	220 022-01	2	2	2	2	2	2	Dowel transmission cover 89-
4	350 014-01	1	1	1	1	1	1	Seal ring 18x10x6 01-
5	350 013-01	1	1	1	1	1	1	Ball bearing water pump 01-
6	230 058-01	1	1	1	1	1	1	Bushing gearshift shaft 89-
7	220 085-01	1	1	1	1	1	1	Bushing kickstarter shaft 02-
8	360 034-01	2	2	2	2	2	2	Needle roller bearing 01-
9	220 021-01	1	1	1	1	1	1	Oilfill cap 89-
10	340 024-01	1	1	1	1	1	1	O-ring 24.2x3
11	350 004-01	1	1	1	1	1	1	Seal ring gear shift shaft 12x22x6x76.5
12	306 525-22	8	8	8	8	8	8	Screw MC6S 6x25
13	305 516-22	3	3	3	3	3	3	Screw MC6S 5x16
14	220 071-01	1	1	1	1	1	1	Water pump cover 01-
15	220 072-01	1	1	1	1	1	1	Gasket water pump cover 01-
16	330 010-01	1	1	1	1	1	1	Circlip SGA 10
17	210 166-01	1	1	1	1	1	1	Impeller water pump 01-
18	370 006-01	1	1	1	1	1	1	Pin water pump impeller 2.5x20 01-
19	350 000-01	1	1	1	1	1	1	Seal ring kick shaft 10x18x4x4,8
20	340 117-01	1	1	1	1	1	1	O-ring 17,3x2,4
21	220 074-01	1	1	1	1	1	1	Oil inspection window 01-
22	330 031-01	1	1	1	1	1	1	Lock ring oil inspection window 01-
23	306 530-22	2	2	2	2	2	2	Screw MC6S 6x30
24	220 098-01	1	1	1	1	1	1	Bearing support bushing 03-



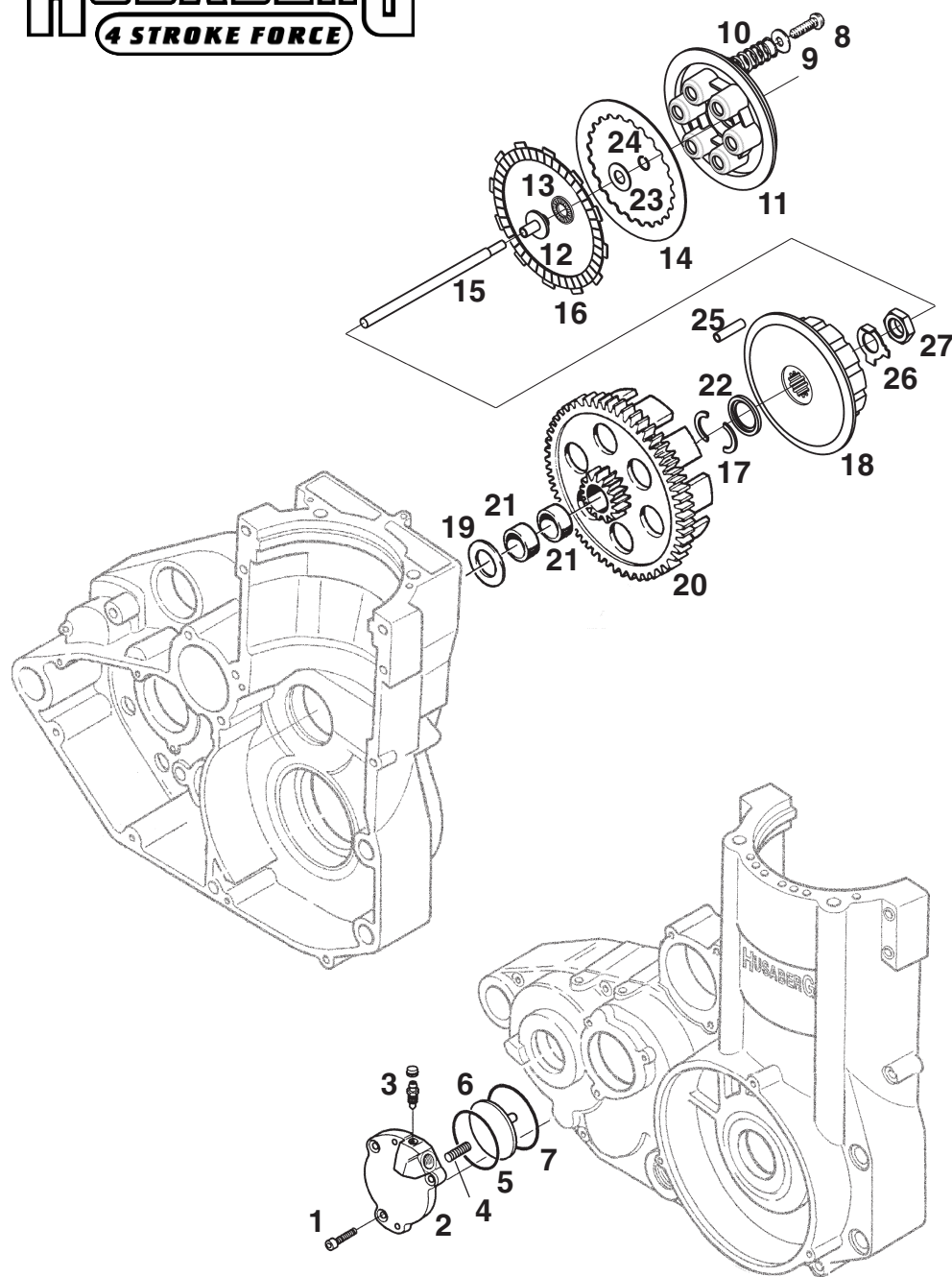
Pos.	Part No	Qty/Model						Description
		FEe	FSe	FSc	FC	FCe	FXe	
1	240 131-01	1	1				1	Main gearshaft (Z=14) 03-
2	240 094-01	1	1				1	Bushing 00-
3	240 075-01	1	1				1	5th gear wheel main shaft (Z=24) 01-
4	360 007-01	2	2				2	Needle bearing 22x26x13 94-
5	240 017-01	1	1				1	Support washer 89-
6	330 036-01	4	4				4	Circlip SW 25 89-
7	240 103-01	1	1				1	3rd/4th gear wheel main shaft (Z=19/23) 01-
8	240 018-01	2	2				2	Support washer 89-
9	360 009-01	1	1				1	Needle bearing 20x24x13 94-
10	240 006-01	1	1				1	6th gear wheel main shaft (Z=27) 94-
11	240 002-01	1	1				1	2nd gear wheel main shaft (Z=17) 89-
12	240 008-01	1	1				1	Shift fork shaft front 89-
13	240 004-01	3	3				3	Shift fork 89-
14	240 007-01	1	1				1	Shift fork shaft rear 89-
15	240 093-01	3	3				3	Roller shift fork 00-
16	240 092-01	1	1				1	Shift drum 00-
17	370 018-01	6	6				6	Pin 4x18 89-
18	240 027-01	1	1				1	Positioning star 89-
19	326 025-01	1	1				1	Washer 6x25x1,5
20	306 612-22	1	1				1	Screw M6S 6x12
21	330 030-01	1	1				1	Circlip SW 30 97-
22	306 625-22	1	1				1	Screw M6S 6x25
23	326 016-01	1	1				1	Washer 6x16x1
24	230 075-01	1	1				1	Shift locating lever 89-
25	230 076-01	1	1				1	Sleeve 89-
26	230 077-01	1	1				1	Spring shift locating lever 89-
27	230 078-01	1	1				1	Shift locating lever kit 89- (incl. pos. no. 22-26)
28	240 111-01	1	1				1	1st gear wheel secondary shaft (Z=33) 01-
29	360 010-01	1	1				1	Needle bearing 20x24x10 89-
30	240 065-01	1	1				1	5th gear wheel secondary shaft (Z=22) 94-
31	240 143-01	1	1				1	3rd gear wheel secondary shaft (Z=26) 03-
32	240 144-01	1	1				1	4th gear wheel secondary shaft (Z=25) 03-
33	240 066-01	1	1				1	6th gear wheel secondary shaft (Z=20) 94-
34	240 062-01	1	1				1	2nd gear wheel secondary shaft (Z=30) 94-
35	240 042-01	1	1				1	Secondary shaft 01-
36	210 167-01	1	1				1	Plug 12x7 01-
37	240 096-01	3	3				3	Support washer 03-
38	240 095-01	2	2				2	Gear wheel bushing 03-
39	340 022-01	1	1				1	O-ring 22,1x1,6 94-



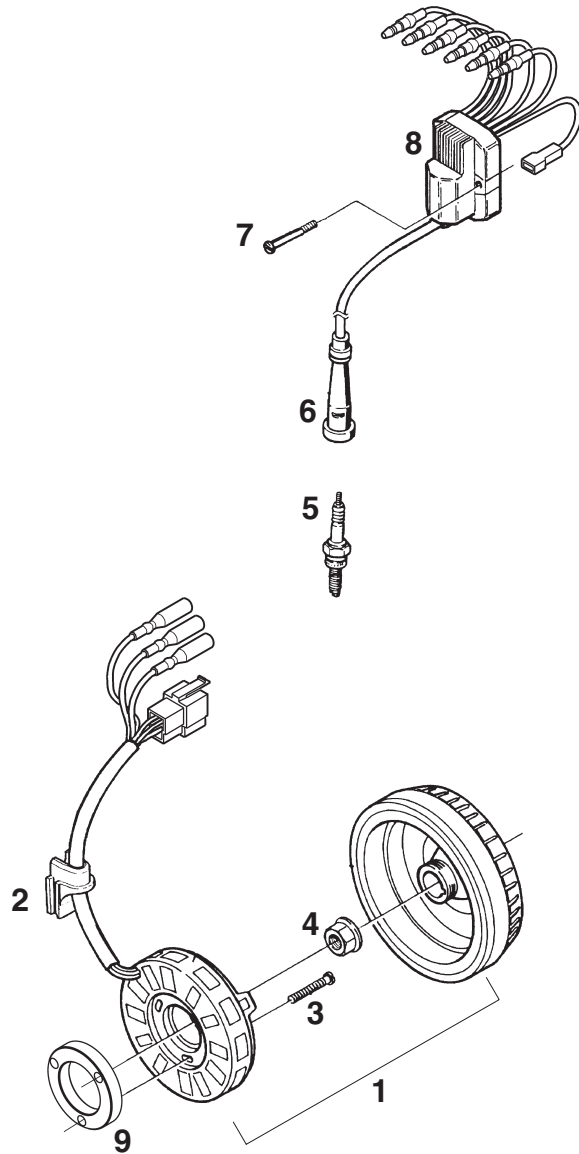
Pos.	Part No	Qty/Model						Description
		FEe	FSe	FSc	FC	FCe	FXe	
1	240 131-01			1	1	1		Main gearshaft (Z=14) 03-
2	240 094-01			1	1	1		Bushing 00-
3	240 075-01			1	1	1		5th gear wheel main shaft (Z=24) 94-
4	360 007-01			2	2	2		Needle bearing 22x26x13 94-
5	240 017-01			1	1	1		Support washer 89-
6	330 036-01			4	4	4		Circlip SW 25 89-
7	240 103-01			1	1	1		3rd/4th gear wheel main shaft (Z=19/23) 01-
8	240 018-01			2	2	2		Support washer 89-
9	360 009-01			1	1	1		Needle bearing 20x24x13 94-
10	240 076-01			1	1	1		6th gear wheel main shaft (Z=25) 94-
11	240 002-01			1	1	1		2nd gear wheel main shaft (Z=17) 01-
12	240 008-01			1	1	1		Shift fork shaft front 89-
13	240 004-01			3	3	3		Shift fork 89-
14	240 007-01			1	1	1		Shift fork shaft rear 89-
15	240 093-01			3	3	3		Roller shift fork 00-
16	240 092-01			1	1	1		Shift drum 00-
17	370 018-01			6	6	6		Pin 4x18 89-
18	240 027-01			1	1	1		Positioning star 89-
19	326 025-01			1	1	1		Washer 6x25x1,5
20	306 612-22			1	1	1		Screw M6S 6x12
21	330 030-01			1	1	1		Circlip SW 30 97-
22	306 625-22			1	1	1		Screw M6S 6x25
23	326 016-01			1	1	1		Washer 6x16x1
24	230 075-01			1	1	1		Shift locating lever 89-
25	230 076-01			1	1	1		Sleeve 89-
26	230 077-01			1	1	1		Spring shift locating lever 89-
27	230 078-01			1	1	1		Shift locating lever kit 89- (incl. pos. no. 22-26)
28	240 111-01			1	1	1		1st gear wheel secondary shaft (Z=33) 01-
29	360 010-01			1	1	1		Needle bearing 20x24x10 89-
30	240 065-01			1	1	1		5th gear wheel secondary shaft (Z=22) 94-
31	240 143-01			1	1	1		3rd gear wheel secondary shaft (Z=26) 03-
32	240 144-01			1	1	1		4th gear wheel secondary shaft (Z=25) 03-
33	240 086-01			1	1	1		6th gear wheel secondary shaft (Z=21) 94-
34	240 062-01			1	1	1		2nd gear wheel secondary shaft (Z=30) 01-
35	240 042-01			1	1	1		Secondary shaft 01-
36	210 167-01			1	1	1		Plug 12x7 01-
37	240 096-01			3	3	3		Support washer 03-
38	240 095-01			2	2	2		Gear wheel bushing 03-
39	340 022-01			1	1	1		O-ring 22,1x1,6 94-



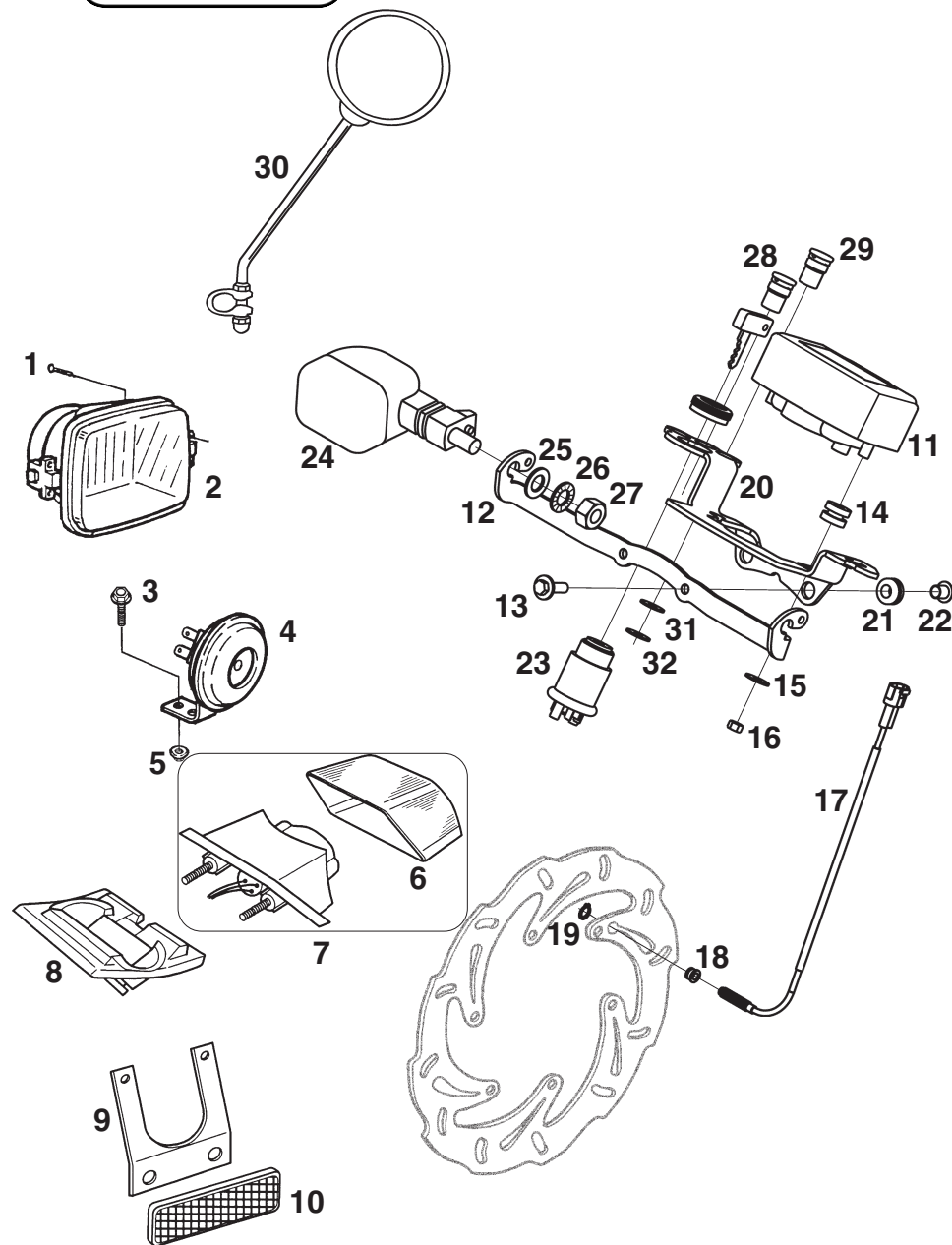
Pos.	Part No	Qty/Model						Description
		FEe	FSe	FSc	FC	FCe	FXe	
1	240 131-01				1			Main gearshaft (Z=14) 03-
2	240 094-01				1			Bushing 00-
3	240 036-01				1			Spacer 4-speed gearbox 94- (Instead of 5th gear wheel)
4	360 007-01				1			Needle bearing 22x26x13 94-
5	240 037-01				1			Spacer 4-speed gearbox 94- (Instead of 6th gear wheel)
6	330 036-01				3			Circlip SW 25 89-
7	240 103-01				1			3rd/4th gear wheel main shaft (Z=19/23) 01-
8	240 002-01				1			2nd gear wheel main shaft (Z=17) 01-
9	240 096-01				3			Support washer 03-
10	340 022-01				1			O-ring 22,1x1,6 94-
11	240 095-01				2			Gear wheel bushing 03-
12	210 167-01				1			Plug 12x7 01-
13	240 004-01				2			Shift fork 89-
14	240 007-01				1			Shift fork shaft rear 89-
15	240 093-01				2			Roller shift fork 00-
16	240 092-01				1			Shift drum 00-
17	370 018-01				6			Pin 4x18 89-
18	240 027-01				1			Positioning star 89-
19	326 025-01				1			Washer 6x25x1,5
20	306 612-22				1			Screw M6S 6x12
21	330 030-01				1			Circlip SW 30 97-
22	306 625-22				1			Screw M6S 6x25
23	326 016-01				1			Washer 6x16x1
24	230 075-01				1			Shift locating lever 89-
25	230 076-01				1			Sleeve 89-
26	230 077-01				1			Spring shift locating lever 89-
27	230 078-01				1			Shift locating lever kit 89- (incl. pos. no. 22-26)
28	240 111-01				1			1st gear wheel secondary shaft (Z=33) 01-
29	360 010-01				1			Needle bearing 20x24x10 89-
30	240 065-01				1			5th gear wheel secondary shaft (Z=22) 94-
31	240 143-01				1			3rd gear wheel secondary shaft (Z=26) 03-
32	240 144-01				1			4th gear wheel secondary shaft (Z=25) 03-
33	240 086-01				1			6th gear wheel secondary shaft (Z=21) 94-
34	240 062-01				1			2nd gear wheel secondary shaft (Z=30) 01-
35	240 042-01				1			Secondary shaft 01-
36	240 018-01				1			Support washer 89-
37	370 002-01				1			Pin 5th & 6th gear position



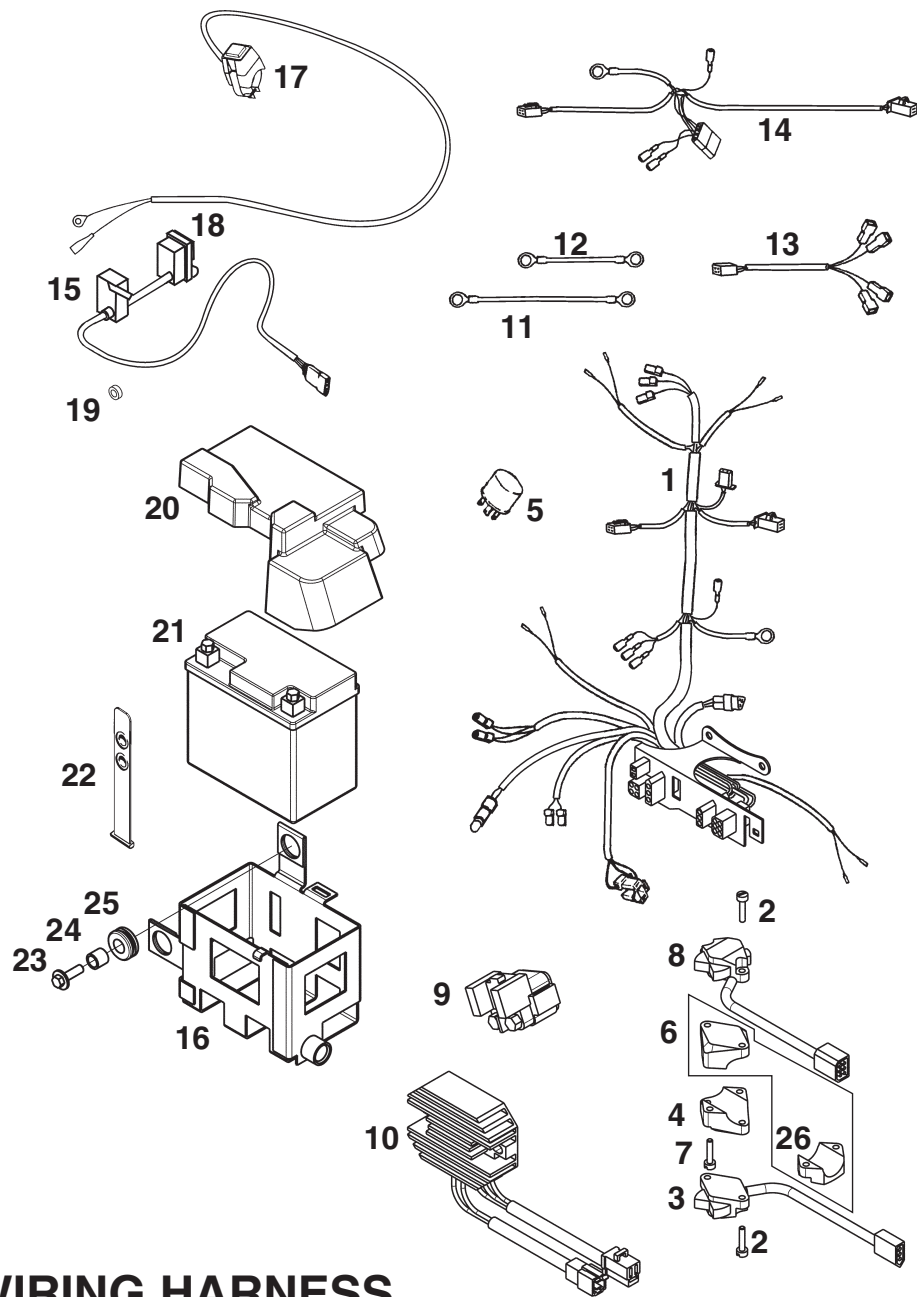
Pos.	Part No	Qty/Model						Description
		FEe	FSe	FSc	FC	FCe	FXe	
1	305 516-22	3	3	3	3	3	3	Screw MC6S 5x16
2	230 133-01	1	1	1	1	1	1	Cover clutch cylinder 00-
3	170 074-01	1	1	1	1	1	1	Air nipple 00-
4	230 129-01	1	1	1	1	1	1	Return spring 00-
5	340 029-01	1	1	1	1	1	1	O-ring piston 00-
6	230 134-01	1	1	1	1	1	1	Clutch piston 00-
7	340 053-01	1	1	1	1	1	1	O-ring cover 00-
8	306 625-22	6	6	6	6	6	6	Screw M6S 6x25
9	230 074-01	6	6	6	6	6	6	Clutchspring retainer 89-
10	230 118-01	6	6	6	6	6	6	Clutch spring 400 / 450 / 501 00-
10	230 007-01	6	6	6	6	6	6	Clutch spring 550 / 650 00-
11	230 160-01	1	1	1	1	1	1	Pressure plate clutch hub 03-
12	230 174-01	1	1	1	1	1	1	Pressure sleeve 03-
13	230 175-01	1	1	1	1	1	1	Bearing axial 03-
14	230 162-01	4	4	4	4	4	4	Mating plate, steel 1mm 03-
14	230 162-02	4	4	4	4	4	4	Mating plate, steel 1,4mm 03-
15	230 161-01	1	1	1	1	1	1	Disengaging pushrod 03-
16	230 073-01	7	7	7	7	7	7	Friction plate 89-
17	230 163-01	2	2	2	2	2	2	Retaining clip 03-
18	230 159-01	1	1	1	1	1	1	Clutchhub inner 03-
19	230 040-01	1	1	1	1	1	1	Inner washer clutch hub 35x25x1 89-
20	230 147-01	1	1	1	1	1	1	Clutch hub outer 02-
21	230 004-01	1	1	1	1	1	1	Bushing clutch hub bronze -01
21	360 038-01	2	2	2	2	2	2	Bearing clutch hub 02-
22	230 164-01	1	1	1	1	1	1	Retaining ring 03-
23	230 176-01	1	1	1	1	1	1	Bearing washer 03-
24	230 177-01	1	1	1	1	1	1	Circlip 12x1 03-
25	230 165-01	12	12	12	12	12	12	Driving sleeve D8 L31 03-
26	230 166-01	1	1	1	1	1	1	Locking washer 03-
27	230 167-01	1	1	1	1	1	1	Nut M18x1,5 03-



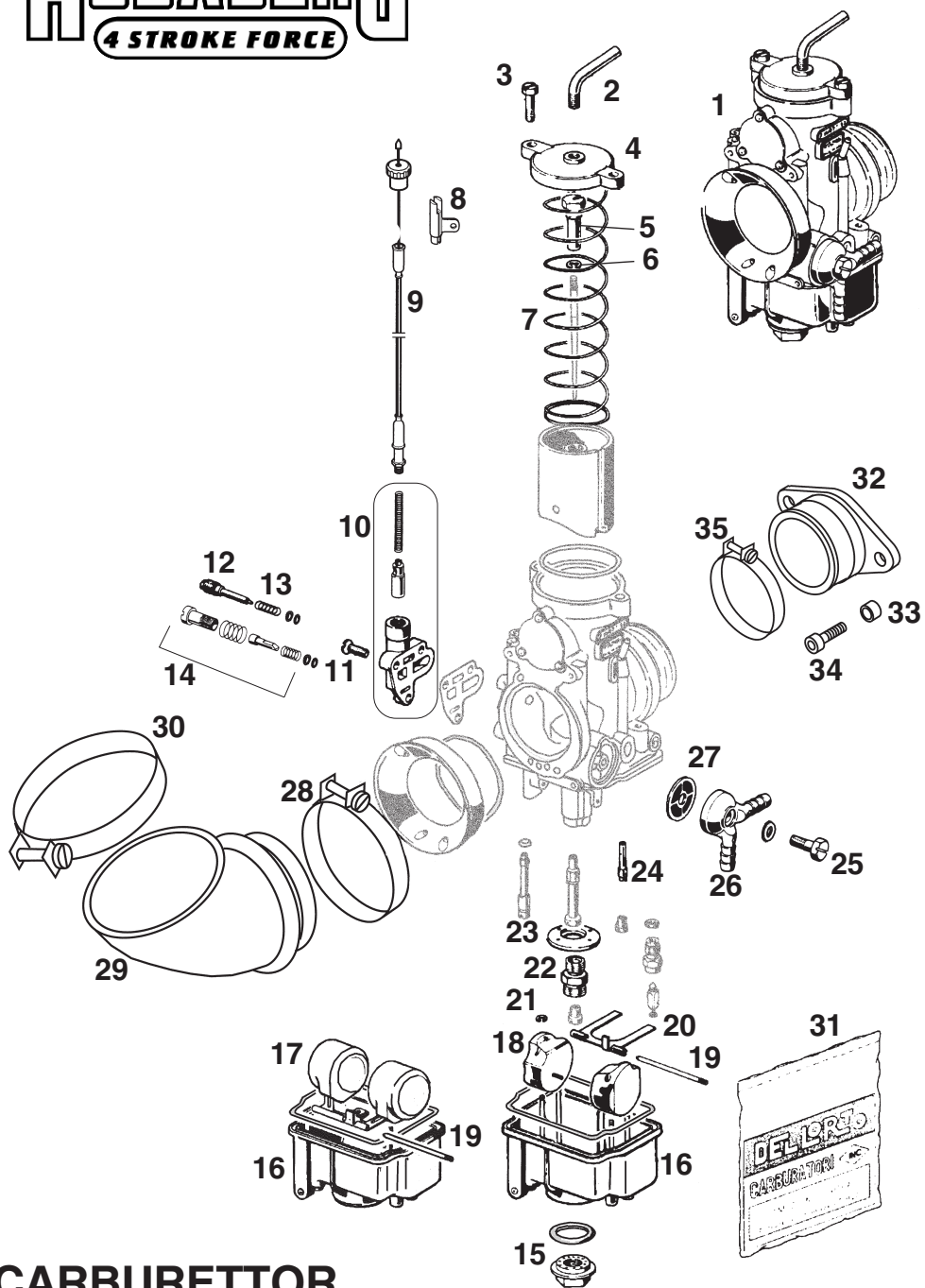
Pos.	Part No	Qty/Model						Description
		FEe	FSe	FSc	FC	FCe	FXe	
1	250 285-01	1	1			1	1	Ignition complete 02- (flywheel, stator and cable rubber)
1	250 286-01			1	1			Ignition complete 02- (flywheel, stator and cable rubber)
2	250 199-01	1	1	1	1	1	1	Cable rubber 99-
3	305 530-22	3	3	3	3	3	3	Screw MC6S 5x30
4	250 203-01	1	1	1	1	1	1	Flywheel nut 99-
5	250 239-01	1	1	1	1	1	1	Sparkplug NGK DCPR8E 00-
6	250 237-01	1	1	1	1	1	1	Sparkplug cap 00-
7	305 525-22	2	2	2	2	2	2	Screw MC6S 5x25
8	250 295-01	1	1					Ignition coil 400e 02-
8	250 293-01	1						Ignition coil 501e 02-
8	250 289-01				1			Ignition coil 550 02-
8	250 310-01	1	1	1			1	Ignition coil 650 03-
9	250 218-01			1	1			Stator spacer 99-



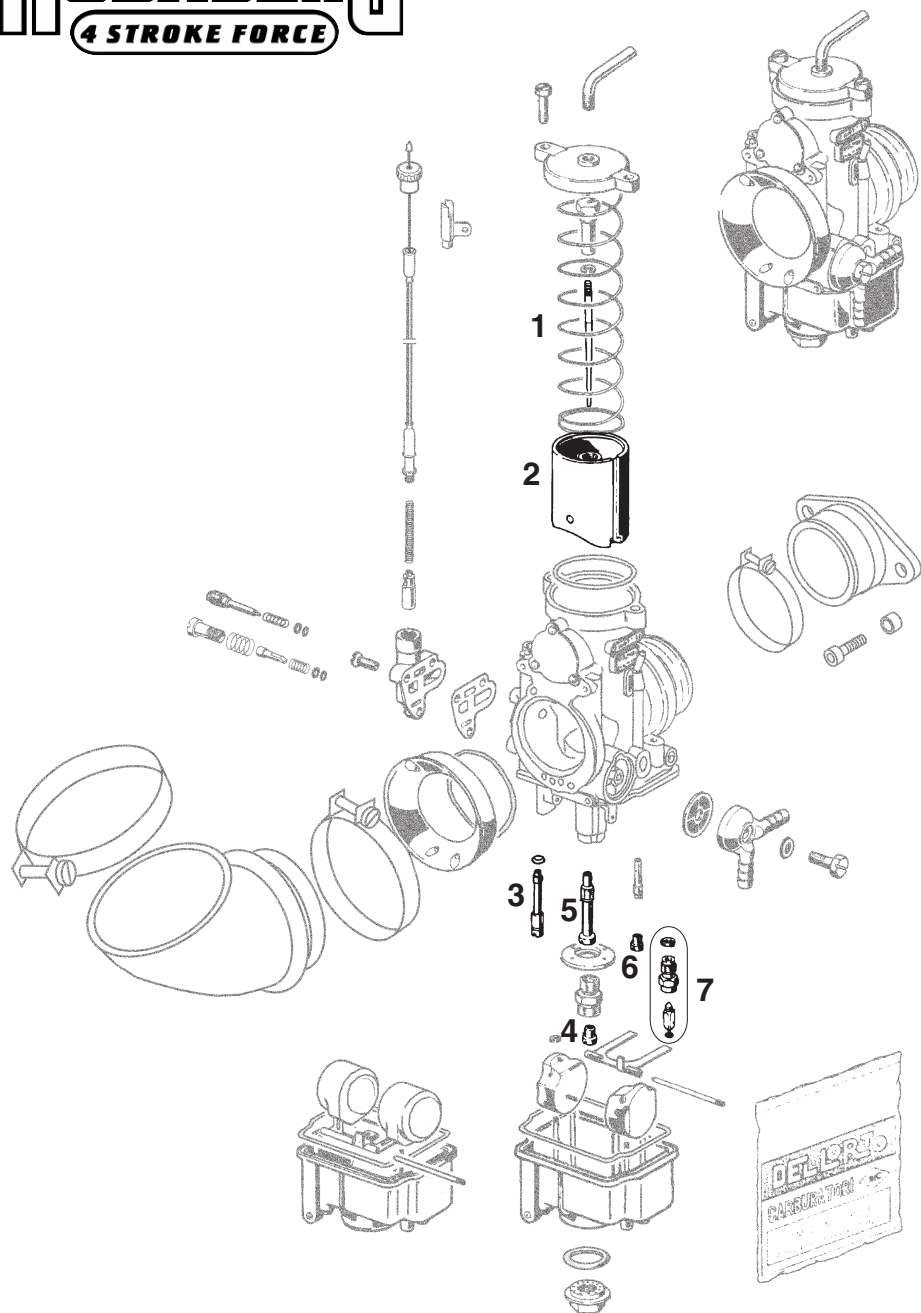
Pos.	Part No	Qty/Model						Description
		FEe	FSe	FSc	FC	FCe	FXe	
1	306 616-22	2	2					Screw M6S 6x16
2	180 198-01	1	1					Headlight reflector ECE-approved 03-
2	180 100-01	1	1					Headlight reflector left hand traffic 96-
3	406 115-22	1	1					Screw (Collar) 6x15
4	180 104-01	1	1					Horn 98-
5	316 811-22	1	1					Lock nut M6
6	180 149-01	1	1					Lens tail light 00-
7	180 148-01	1	1					Tail light 00- (incl. pos. no. 6)
8	180 160-01	1	1					Rubber tail light 00-
9	180 159-01	1	1					Bracket reflex 00-
10	180 155-01	1	1					Reflex 00-
11	180 195-01	1	1					Speedometer digital 21" km/h 03-
11	180 195-02	1	1					Speedometer digital 21" mph 03-
11	180 195-03	1	1					Speedometer digital 17" km/h 03-
11	180 195-04	1	1					Speedometer digital 17" mph 03-
12	180 208-01	1	1					Bracket turn lights 03-
13	406 110-22	2	2					Screw (Collar) 6x10
14	130 219-01	2	2					Rubber bushing speedometer 03-
15	326 013-01	2	2					Washer 6,7x14x1,5
16	316 811-22	2	2					Lock nut M6
17	180 211-01	1	1					Speedometer cable 03-
18	180 212-01	1						Speedometer magnet FE 03-
18	180 212-02		1					Speedometer magnet FS 03-
19	180 213-01	1	1					Circlip speedometer magnet 03-
20	180 196-01	1	1					Bracket speedometer 03-
21	180 219-01	2	2					Rubber bushing speedometer bracket 03-
22	180 220-01	2	2					Spacer speedometer bracket 03-
23	180 169-01	1	1					Ignition lock 95-
24	180 065-01	2	2					Turn signal left front / right rear 89-
24	180 065-02	2	2					Turn signal right front / left rear 89-
25	320 017-01	4	4					Washer 10,5x18x0,9
26	320 018-01	4	4					Washer 10,5x18x2
27	310 800-22	4	4					Nut M10
28	180 206-01	1	1					High beam indicator blue (incl.circlip) 03-
29	180 205-01	1	1					Turn light indicator green (incl.circlip) 03-
30	190 020-01	1/2	1/2					Rear view mirror 99-
31	340 040-01	2	2					O-ring 10x1.3
32								Circlip (see pos.no. 28)



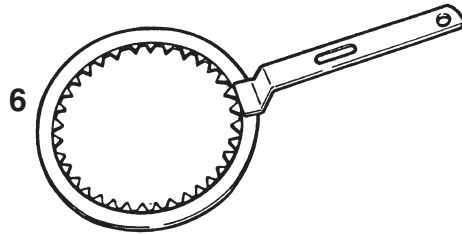
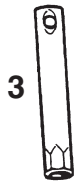
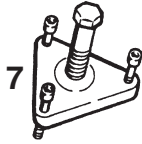
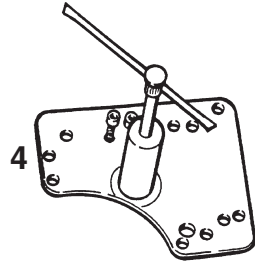
Pos.	Part No	Qty/Model						Description
		FEe	FSe	FSc	FC	FCe	FXe	
1	180 203-01	1	1					Wiring harness lights 03-
2	304 414-62	4	4					Screw 4x14 MRX (no turn signals - 2 pcs)
3	180 175-01	1	1					Turn signal switch incl. wire 01-
4	180 176-01	1	1					Turn signal switch bracket 01-
5	180 026-01	1	1					Turn signal relay 89-
6	180 105-01	1	1					Light switch bracket 98-
7	304 420-62	2	2					Screw 4x20 MRX
8	180 218-01	1	1					Light switch incl. wire 03-
9	180 207-01	1	1			1	1	Starter relay 03-
10	180 123-01	1	1			1	1	Voltage regulator / rectifier 03-
11	180 216-01	1	1			1	1	Cable battery minus 03-
12	180 215-01	2	2			2	2	Cable battery plus 03-
13	180 214-01	1	1					Wiring harness ignition lock 03-
14	180 201-01					1	1	Wiring harness without lights 03-
15	170 093-01	1	1	1	1	1	1	Holder ignition switch 01-
16	180 197-01	1	1			1	1	Battery box 03-
17	190 009-01			1	1	1	1	Engine short circuit button incl. wire 01-
18	170 094-01	1	1	1	1	1	1	High/Low ignition switch with cable 01-
19	140 051-01	1	1	1	1	1	1	Spacer High/Low switch 01-
20	180 217-01	1	1			1	1	Cover battery 03-
21	180 168-01	1	1			1	1	Battery 01-
22	180 174-01	1	1			1	1	Strap battery 01-
23	406 110-22	1	1			1	1	Screw (Collar) 6x10
24	170 009-01	2	2			2	2	Spacer 03-
25	180 138-01	2	2	2	2	2	2	Rubber 03-
26	180 105-02							Bottom part, light switch bracket 98-



Pos.	Part No	Qty/Model						Description
		FEe	FSe	FSc	FC	FCe	FXe	
1	250 151-01	1	1					PHM 38 Carburettor 400
1	250 152-01	1	1	1	1	1	1	PHM 40 Carburettor 501/550/650
2	250 045-02	1	1	1	1	1	1	Tube bend
3	250 046-01	2	2	2	2	2	2	Screw throttle cover
4	250 169-01	1	1	1	1	1	1	Throttle cover
5	250 101-01	1	1	1	1	1	1	Needle holder
6	250 102-01	1	1	1	1	1	1	Clips needle
7	250 170-01	1	1	1	1	1	1	Spring throttle
8	250 228-01	1	1	1	1	1	1	Choke bracket 00-
9	250 227-01	1	1	1	1	1	1	Choke wire 00-
10	250 052-02	1	1	1	1	1	1	Choke complete 00-
11	250 053-01	3	3	3	3	3	3	Screw choke 00-
12	250 171-01	1	1	1	1	1	1	Mixture screw
13	250 063-01	1	1	1	1	1	1	Spring mixture screw
14	250 276-01	1	1	1	1	1	1	Idling screw complete
15	250 043-01	1	1	1	1	1	1	Drain plug
16	250 182-01	1	1	1	1	1	1	Float chamber
17	250 167-01	1	1	1	1	1	1	Float double type PHM 38
18	250 168-01	2	2	2	2	2	2	Float single type PHM 40
19	250 179-01	1	1	1	1	1	1	Cotter float
20	250 181-01	1	1	1	1	1	1	Fork float
21	250 180-01	1	1	1	1	1	1	Clips float
22	250 176-01	1	1	1	1	1	1	Main jet support
23	250 175-01	1	1	1	1	1	1	Stabilizer washer
24	250 194-01	1	1	1	1	1	1	Mixture jet tube
25	250 178-01	1	1	1	1	1	1	Screw fuel line inlet
26	250 177-02	1	1	1	1	1	1	Fuel line inlet
27	250 070-01	1	1	1	1	1	1	Fuel filter
28	150 003-01	1	1	1	1	1	1	Clamp airfilter tube/carburettor
29	150 064-01	1	1	1	1	1	1	Airfilter tube
30	150 077-01	1	1	1	1	1	1	Clamp airfilter tube/frame
31	250 076-01	1	1	1	1	1	1	Gasket kit
32	250 244-01	1	1	1	1	1	1	Intake manifold 01- (Incl. Pos. No. 33)
33	250 230-01	2	2	2	2	2	2	Spacer inlet rubber 00-
34	306 520-22	2	2	2	2	2	2	Screw MC6S 6x20
35	150 246-01	1	1	1	1	1	1	Clamp 40-60



Pos.	Part No	Qty/Model						Description
		FEe	FSe	FSc	FC	FCe	FXe	
1	250 024-01							Needle K 32
1	250 144-01							Needle K 35
1	250 163-01							Needle K 51
2	250 160-01							Throttle 40
2	250 161-01							Throttle 45
2	250 162-01							Throttle 50
3	250 055-01							Start jet 40
3	250 056-01							Start jet 45
3	250 057-01							Start jet 50
4	250 267-01							Main jet 100
4	250 242-01							Main jet 110
4	250 183-01							Main jet 172
4	250 015-01							Main jet 175
4	250 016-01							Main jet 180
4	250 017-01							Main jet 185
4	250 018-01							Main jet 190
4	250 019-01							Main jet 195
4	250 020-01							Main jet 200
4	250 221-01							Main jet 210
5	250 241-01							Needle jet DR 264
5	250 196-01							Needle jet DR 266
5	250 219-01							Needle jet DR 268
5	250 165-01							Needle jet DR 270
5	250 164-01							Needle jet DR 272
5	250 166-01							Needle jet DR 274
6	250 091-01							Pilot jet 30
6	250 089-01							Pilot jet 33
6	250 092-01							Pilot jet 35
6	250 232-01							Pilot jet 38
6	250 093-01							Pilot jet 40
6	250 233-01							Pilot jet 42
6	250 029-01							Pilot jet 45
6	250 030-01							Pilot jet 48
6	250 031-01							Pilot jet 50
6	250 032-01							Pilot jet 52
6	250 033-01							Pilot jet 55
7	250 034-01							Float needlejet 300
7	250 098-01							Float needlejet 350



Pos.	Part No	Qty/Model						Description
		FEe	FSe	FSc	FC	FCe	FXe	
1	270030-01							Holding tool flywheel 99-
2	270012-01							Drift removing valve guide
3	270001-01							Sparkplug wrench
4	270011-01							Puller crankcase
5	270028-01							Puller flywheel 99-
6	270007-01							Holding tool
7	270005-01							Puller clutch
8	270032-01							Air bleed syringe clutch